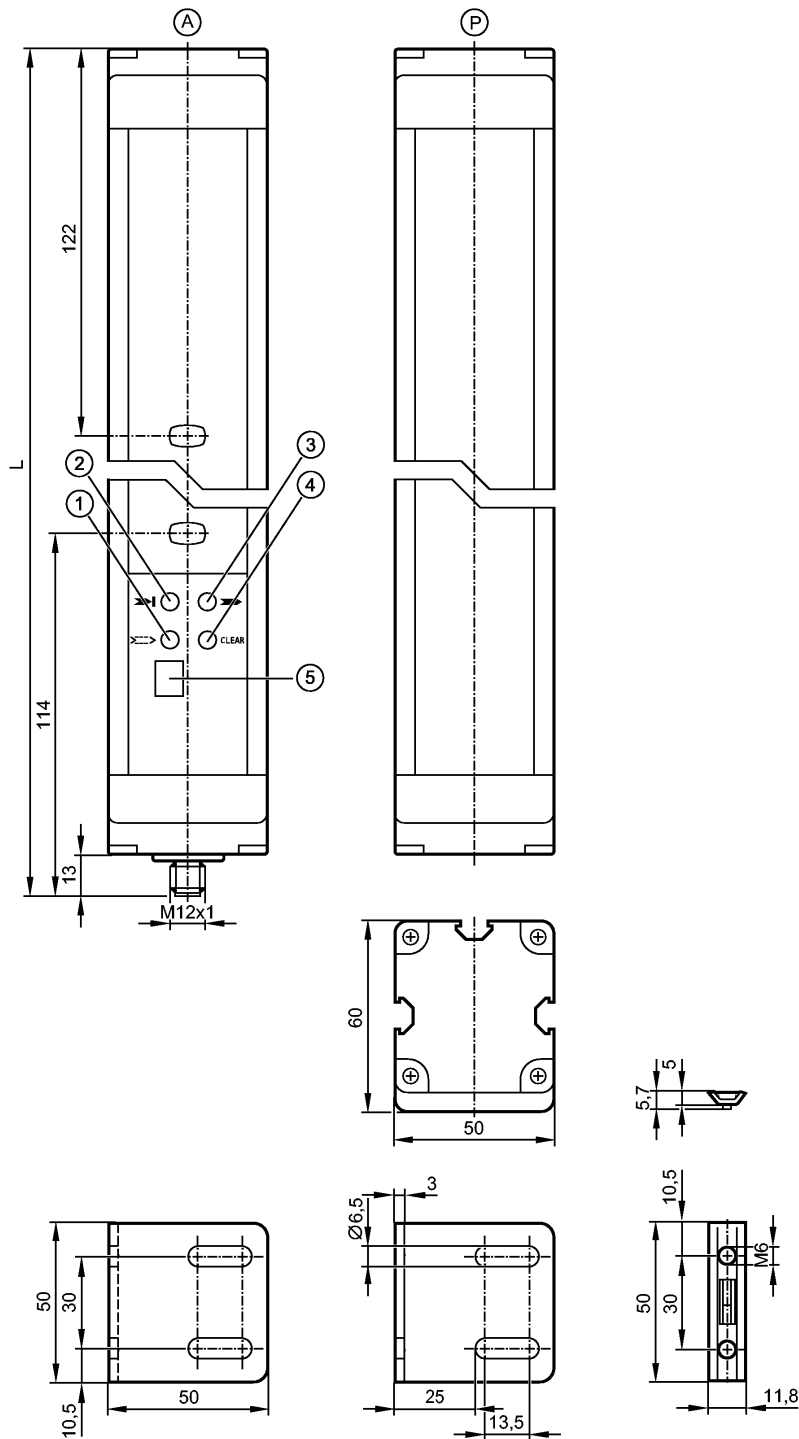


OY902S

OYD0810-03-4-06-P-1

Photoelectric sensors

Please note the wiring of the sensor and the sockets (see data sheet) as for 8-pole sockets the core colours are not standardised.



A: active element
 P: passive element
 1: LED (orange)
 2: LED (red)

3: LED (green)
 4: LED (yellow)
 5: display



Product characteristics

Safety light grid

Length L: 1036 mm

Connector

OY902S

OYD0810-03-4-06-P-1

Photoelectric sensors

with active / passive system

Complies with the requirements:

type 4 (IEC 61496-1)

SIL 3 (IEC 61508)

SILcl 3 (IEC 62061)

PL e (EN ISO 13849-1)

Electrical data

Electrical design		DC PNP
Operating voltage	[V]	24 DC (19.2...28.8)
Current consumption	[mA]	250
Type of light		Infrared light 950 nm
Protection class		III
Reverse polarity protection		yes
Power-on delay time	[s]	< 10

Outputs

Outputs (OSSDs)		2 x PNP
Max. current load per output	[mA]	500 (24 V)
Short-circuit protection		yes

Range

Protected area height	[mm]	810
Number of beams		3
Protected area width (range)	[m]	0...6

Reaction times

Response time	[ms]	10.5
---------------	------	------

Environment

Applications		Class C to EN 60654-1 weatherproof application
Ambient temperature	[°C]	-10...55
Max. relative air humidity	[%]	95
Protection		IP 65

Tests / approvals

EMC		IEC 61496-1
Shock resistance		IEC 61496-1
Vibration resistance		IEC 61496-1

Safety classification

Mission time TM	[h]	175200
Safety-related reliability PFHd	[1/h]	4.9E-09
MTTFd	[Years]	100
DC/CCF/Cat.		98.2 % / 80 % / 4

Mechanical data

Length L	[mm]	1036
Housing materials		housing: aluminium; window: PC
Weight	[kg]	8.53

Displays / operating elements

Display		LED yellow LED green
---------	--	-------------------------

OY902S

OYD0810-03-4-06-P-1

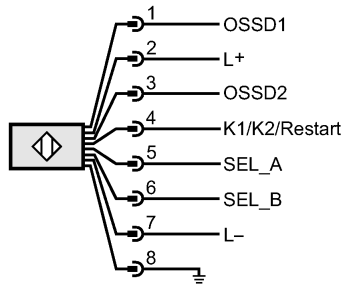
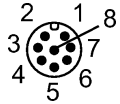
Photoelectric sensors

LED red
LED orange

Electrical connection

Connection M12 connector

Wiring



Max. connection cable length [m] 100 *)

Accessories

Accessories (included) 6 Mounting angle; 6 Mounting Nuts

Remarks

Remarks *) for wire cross-section 1 mm²

Pack quantity [piece] 1

ifm electronic gmbh • Friedrichstraße 1 • 45128 Essen — We reserve the right to make technical alterations without prior notice. — GB — OY902S — 07.09.2010

Please note the wiring of the sensor and the sockets (see data sheet) as for 8-pole sockets the core colours are not standardised.