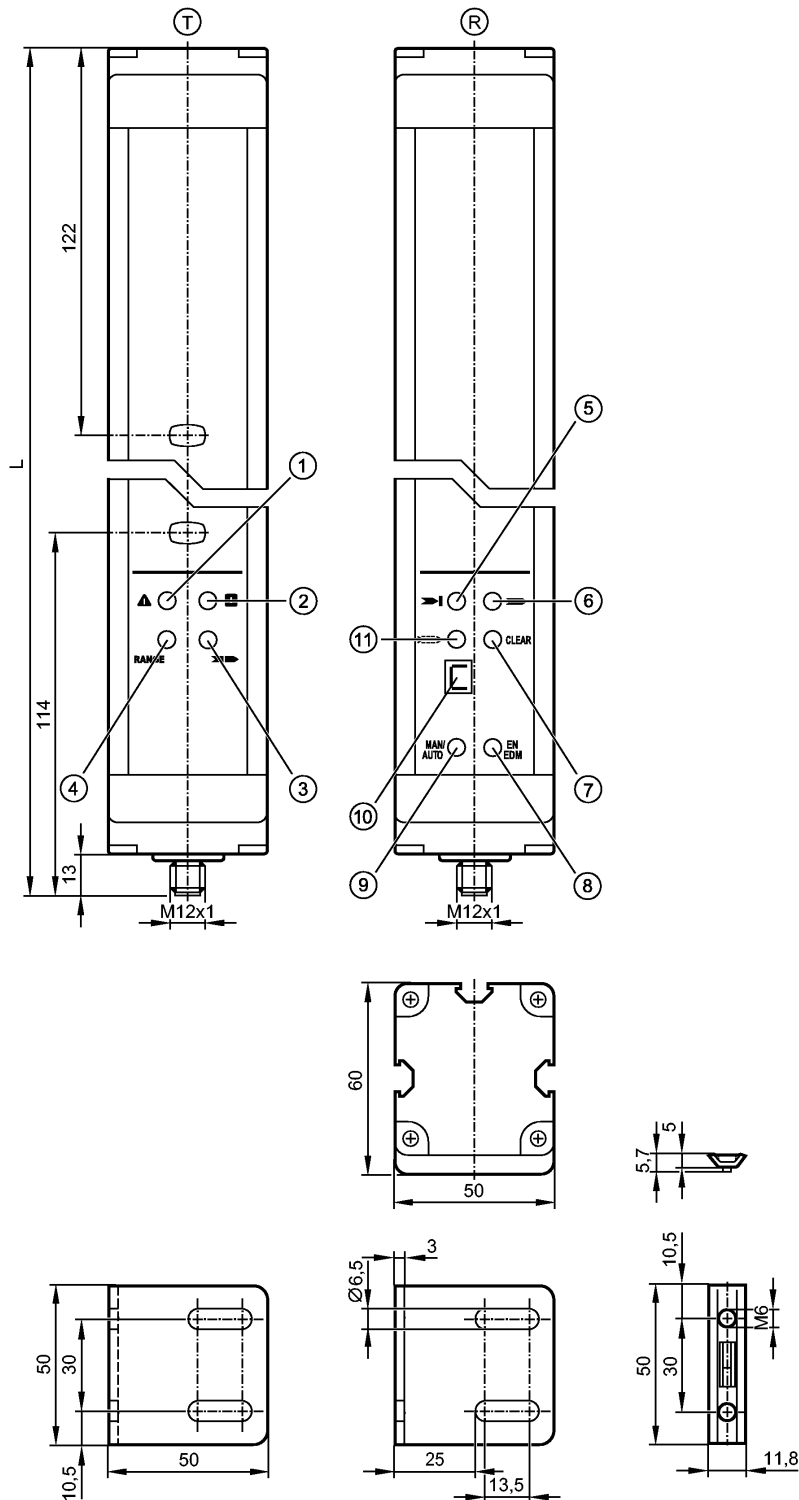


**OY952S**

OYA0810-03-4-60-P-1

Photoelectric sensors

**Please note the wiring of the sensor and the sockets (see data sheet) as for 8-pole sockets the core colours are not standardised.**



- T: Transmitter
- R: Receiver
- 1: LED (red)
- 2: LED (green)
- 3: LED (yellow)
- 4: LED (orange)
- 5: LED (red)

- 6: LED (green)
- 7: LED (yellow)
- 8: LED (yellow)
- 9: LED (yellow)
- 10: display
- 11: LED (orange)

**OY952S**

OYA0810-03-4-60-P-1

Photoelectric sensors

| Product characteristics         |         |  |
|---------------------------------|---------|--|
| Safety light grid               |         |  |
| Length L: 1036 mm               |         |  |
| Connector                       |         |  |
| Complies with the requirements: |         |  |
| type 4 (IEC 61496-1)            |         |  |
| SIL 3 (IEC 61508)               |         |  |
| SILcl 3 (IEC 62061)             |         |  |
| PL e (EN ISO 13849-1)           |         |  |
| Electrical data                 |         |  |
| Electrical design               |         | DC PNP   |
| Operating voltage               | [V]     | 24 DC (19.2...28.8)                            |
| Current consumption             |         |  |
| - Transmitter                   | [mA]    | 125  |
| - Receiver                      | [mA]    | 250  |
| Type of light                   |         | Infrared light 950 nm                          |
| Protection class                |         | III  |
| Reverse polarity protection     |         | yes  |
| Power-on delay time             | [s]     | < 10   |
| Outputs                         |         |  |
| Outputs (OSSDs)                 |         | 2 x PNP  |
| Max. current load per output    | [mA]    | 500 (24 V)                                     |
| Short-circuit protection        |         | yes  |
| Range                           |         |  |
| Protected area height           | [mm]    | 810  |
| Number of beams                 |         | 3  |
| Protected area width (range)    | [m]     | 8...30 / 18...60                               |
| Reaction times                  |         |  |
| Response time                   | [ms]    | 7  |
| Environment                     |         |  |
| Applications                    |         | Class C to EN 60654-1 weatherproof application |
| Ambient temperature             | [°C]    | -10...55                                       |
| Max. relative air humidity      | [%]     | 95   |
| Protection                      |         | IP 65  |
| Tests / approvals               |         |  |
| EMC                             |         | IEC 61496-1                                    |
| Shock resistance                |         | IEC 61496-1                                    |
| Vibration resistance            |         | IEC 61496-1                                    |
| Safety classification           |         |  |
| Mission time TM                 | [h]     | 175200   |
| Safety-related reliability PFHd | [1/h]   | 7.7E-09  |
| MTTFd                           | [Years] | 100  |
| DC/CCF/Cat.                     |         | 98.0 % / 80 % / 4                              |
| Mechanical data                 |         |  |
| Length L                        | [mm]    | 1036   |

**OY952S**

OYA0810-03-4-60-P-1

Photoelectric sensors

|                   |                                |
|-------------------|--------------------------------|
| Housing materials | housing: aluminium; window: PC |
| Weight [kg]       | 7.04                           |

**Displays / operating elements**

|         |  |
|---------|--|
| Display | LED yellow<br>LED green<br>LED red<br>LED orange |
|---------|--|

**Electrical connection**

|             |               |
|-------------|---------------|
| Transmitter |               |
| Connection  | M12 connector |

**Wiring Transmitter**

|            |               |
|------------|---------------|
| Receiver   |               |
| Connection | M12 connector |

**Wiring Receiver**

|                                  |        |
|----------------------------------|--------|
| Max. connection cable length [m] | 100 *) |
|----------------------------------|--------|

**Accessories**

|                        |                                   |
|------------------------|-----------------------------------|
| Accessories (included) | 6 Mounting angle; 6 Mounting Nuts |
|------------------------|-----------------------------------|

**Remarks**

|         |   |
|---------|---|
| Remarks | *) for wire cross-section 1 mm <sup>2</sup> |
|---------|---|

|                       |   |
|-----------------------|---|
| Pack quantity [piece] | 1 |
|-----------------------|---|

ifm electronic gmbh • Friedrichstraße 1 • 45128 Essen — We reserve the right to make technical alterations without prior notice. — GB — OY952S — 07.09.2010

**Please note the wiring of the sensor and the sockets (see data sheet) as for 8-pole sockets the core colours are not standardised.**