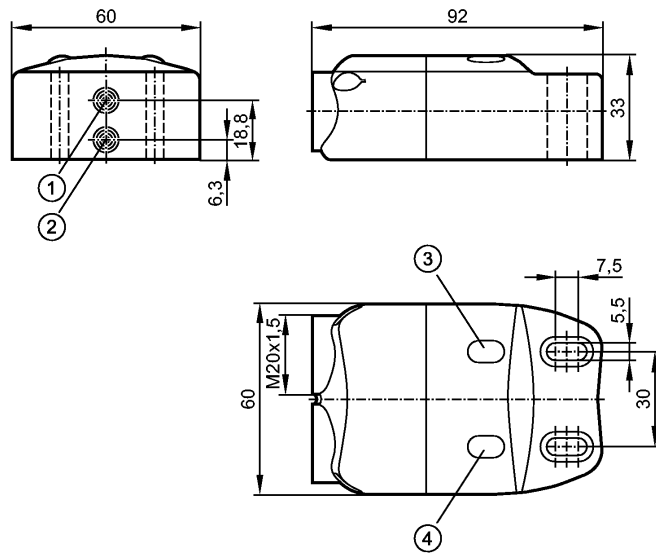


IN5409

INE3004DBPKG

Valve sensors



- 1: sensor 1
- 2: sensor 2
- 3: LED OUT 2
- 4: LED OUT 1

Made in Germany



Product characteristics

Inductive sensor	
Rectangular, plastics	
Terminals	
Dual sensor for actuator feedback	
Sensing range 4 mm; [nf] non-flush mountable	

Electrical data

Electrical design		DC PNP
Operating voltage	[V]	10...30 DC *)
Current consumption	[mA]	< 15 **)
Protection class		III
Reverse polarity protection		yes

Outputs

Output function		2 x normally open
Voltage drop	[V]	< 2.5
Current rating	[mA]	100
Short-circuit protection		pulsed
Overload protection		yes
Switching frequency	[Hz]	500
Valve control		24 (< 20 W)

Range

Sensing range	[mm]	4
Real sensing range (Sr)	[mm]	4 ± 10 %
Operating distance	[mm]	0...3.25

Accuracy / deviations

Correction factors		mild steel = 1 / stainless steel approx. 0.7 / brass approx. 0.5 / Al approx. 0.4 / Cu approx. 0.3
--------------------	--	--

IN5409

INE3004DBPKG

Valve sensors

Hysteresis	[% of Sr]	1...15
Switch-point drift	[% of Sr]	-10...10

Environment		
Ambient temperature	[°C]	-25...80
Protection		IP 67

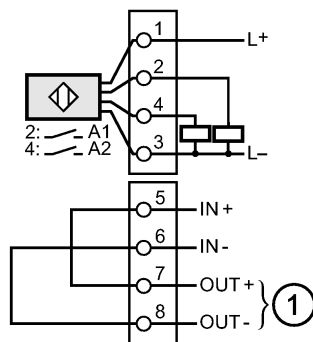
Tests / approvals		
EMC		EN 60947-5-2 EN 55011: class B
MTTF	[Years]	1072

Mechanical data		
Mounting		non-flush mountable
Housing materials		housing: PA (polyamide); screws: stainless steel; washer: stainless steel
Weight	[kg]	0.17

Displays / operating elements		
Output status indication	LED	2 x yellow

Electrical connection		
Connection		Terminal strip in the terminal chamber; terminals up to 2.5 mm ²

Wiring



1: solenoid valve

Accessories		
Accessories (included)		2 washers; 2 cylinder head screw; M5 x 18

Remarks		
Remarks		*) to PELV **) a maximum of one output is switched
Pack quantity	[piece]	1