

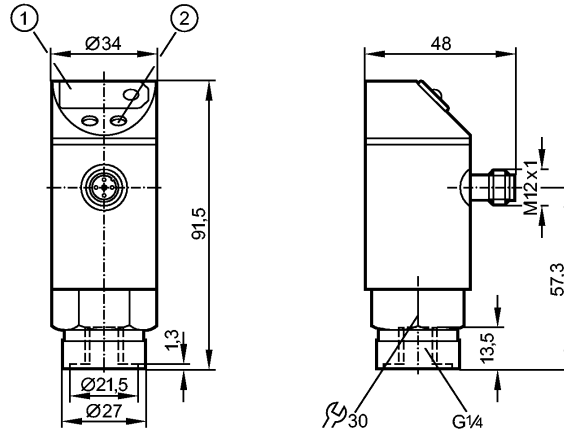
**PN7023**

PN-025-SBR14-QFPKG/US/ /V

Pressure sensors

**no longer available - archive entry**

replaced by: PN7003



1: 7-segment LED display

2: Programming button

Made in Germany



**Product characteristics**

Electronic pressure monitor

Connector

Process connection: G ¼ I

Function programmable

2 switching outputs

7-segment LED display

Measuring range: 0...25 bar

**Application**

Application: Type of pressure: relative pressure  
Liquids and gases

Pressure rating [bar]: 100

Bursting pressure min. [bar]: 350

Medium temperature [°C]: -25...80

**Electrical data**

Electrical design: DC PNP

Operating voltage [V]: 18...30 DC

Current consumption [mA]: < 60

Insulation resistance [MΩ]: > 100 (500 V DC)

Protection class: III

Reverse polarity protection: yes

**Outputs**

Output: 2 switching outputs

Output function: 2 x normally open / closed programmable

Current rating [mA]: 250

Voltage drop [V]: < 2

Short-circuit protection: pulsed

Overload protection: yes

**PN7023**

PN-025-SBR14-QFPKG/US/ /V

**Pressure sensors**

Switching frequency for a given set response time of one output *)	Response time (dAP) [ms]	3	6	10	17	30	60	125	250	500
	Switching frequency [Hz]	170	80	50	30	16	8	4	2	1

**Measuring / setting range**

Measuring range [bar]	0...25
Setting range	
Set point, SP [bar]	0.2...25
Reset point, rP [bar]	0.1... 24.8
in steps of [bar]	0.1

**Accuracy / deviations**

Deviations (% of value of measuring range)	
Switch point accuracy	< ± 1.0
Repeatability	< ± 0.25
Temperature drift ( / 10 K)	< ± 0.3
in the temperature range [°C]	-25...80

**Reaction times**

Power-on delay time [s]	0.2
Delay time programmable dS, dr [s]	0, 0.2,...10, 11,...50
Integrated watchdog	yes

**Software / programming**

Programming options	hysteresis / window function; N.O. / N.C.; on delay, off delay; damping
Adjustment of the switch point	Programming button

**Environment**

Ambient temperature [°C]	-25...80
Storage temperature [°C]	-40...100
Protection	IP 65

**Tests / approvals**

EMC	EN 61000-4-2 ESD:	4 kV CD / 8 kV AD
	EN 61000-4-3 HF radiated:	10 V/m
	EN 61000-4-4 Burst:	2 kV
	EN 61000-4-6 HF conducted:	10 V
Shock resistance	DIN IEC 68-2-27:	50 g (11 ms)
Vibration resistance	DIN IEC 68-2-6:	20 g (10...2000 Hz)

**Mechanical data**

Process connection	G ¼ I
Materials (wetted parts)	stainless steel (303S22); ceramics; FPM (Viton)
Housing materials	EPDM/X (Santoprene); FPM (Viton); PA; PBT (Pocan); PC (Makrolon); PTFE; stainless steel (304S15)
Switching cycles min.	100 million
Weight [kg]	0.276

**Displays / operating elements**

Display	Switching status 2 x LED Red Function display 7-segment LED display Measured values 7-segment LED display
---------	---

**Electrical connection**

Connection	M12 connector; Gold-plated contacts
------------	-------------------------------------

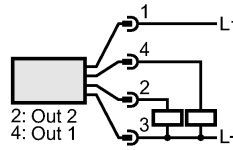
**PN7023**

PN-025-SBR14-QFPKG/US/ /V

Pressure sensors

**Wiring**

Programming of the output function:  
 Hno = hysteresis / normally open  
 Hnc = hysteresis / normally closed  
 Fno = window function / normally open  
 Fnc = window function / normally closed



Complementary outputs:  
 output 1: = Hno, output 2: = Hnc  
 (with the same SP / rP)

**Remarks**

Remarks	*) at rectangular pressure characteristic and setting: switch-on point (SPx) = 70 %, switch-off point (rPx) = 30 %
---------	---

Pack quantity	[piece]	1
---------------	---------	---

ifm electronic gmbh • Friedrichstraße 1 • 45128 Essen — We reserve the right to make technical alterations without prior notice. — GB — PN7023 — 06.06.2003

**no longer available - archive entry**

**replaced by: PN7003**