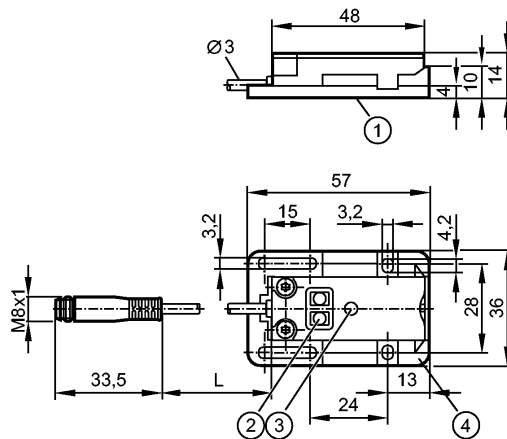


KQ6010

KQ-3120NFPKG/2T/0.04M/AS

Capacitive sensors



- 1: sensing face
- 2: Programming buttons
- 3: LED
- 4: Mounting adapter E12153

Made in Germany

CE  IO-Link

Product characteristics

Capacitive sensor
Rectangular, plastics
Cable with connector
communication interface: IO-Link
Teach function
Electronic lock
Sensing range 12 mm; [nf] non-flush mountable

Application

Application	Position sensor and detection of dry bulk materials and liquids through non-metallic tank walls or on bypass pipes
-------------	--

Electrical data

Electrical design	DC PNP
Operating voltage [V]	10...30 DC
Current consumption [mA]	< 17
Protection class	III
Reverse polarity protection	yes

Outputs

Output function	normally open / closed programmable
Voltage drop [V]	< 2.5
Current rating [mA]	100
Short-circuit protection	pulsed
Overload protection	yes
Switching frequency [Hz]	10

Range

Sensing range [mm]	12
Real sensing range (Sr) [mm]	12 ± 10 %

Accuracy / deviations

Hysteresis [% of Sr]	1...15
----------------------	--------

KQ6010

KQ-3120NFPKG/2T/0.04M/AS

Capacitive sensors

Switch-point drift	[% of Sr]	-20...20
--------------------	-----------	----------

Interfaces

IO-Link Device		
Transfer type		COM1 (4.8 kBaud)
IO-Link revision		1.1
SDCI standard		IEC 61131-9 CDV
IO-Link Device ID		371d / 000173h
Profiles		Smart Sensor
SIO mode		yes
Process data analogue		-
Min. process cycle time	[ms]	100.8

Environment

Ambient temperature	[°C]	-25...80
Protection		IP 65 / IP 67

Tests / approvals

EMC	EN 61000-4-2	8 kV AD
	EN 61000-4-3	10 V/m (80...2000 MHz)
	EN 61000-4-4	2 kV
	EN 61000-4-6	3 V (0.15...80 MHz)
	EN 55011:	class B
Shock resistance	EN 60068-2-27:	30 g 6 shocks / 11 ms half-sine (x,y,z)
Vibration resistance	EN 60068-2-6:	(10...55 Hz) / 1 mm amplitude, oscillation period 5 min., 30 min. per axis at resonance or 55 Hz

Mechanical data

Mounting		non-flush mountable
Housing materials		housing: PBT (glass fiber reinforced); buttons: TPE-U; cover: PC (glass fiber reinforced); adapter: PBT; inserts: Brass; screw: steel galvanised
Weight	[kg]	0.077

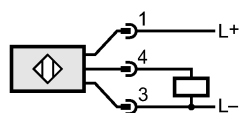
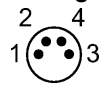
Displays / operating elements

Output status indication	LED	yellow
--------------------------	-----	--------

Electrical connection

Connection		PVC cable / 0.04 m; with M8 connector
------------	--	---------------------------------------

Wiring



4: OUT / IO-Link

Accessories

Accessories (included)		premounted to KQ mounting adapter (E12153)
------------------------	--	--

Remarks

Pack quantity	[piece]	1
---------------	---------	---