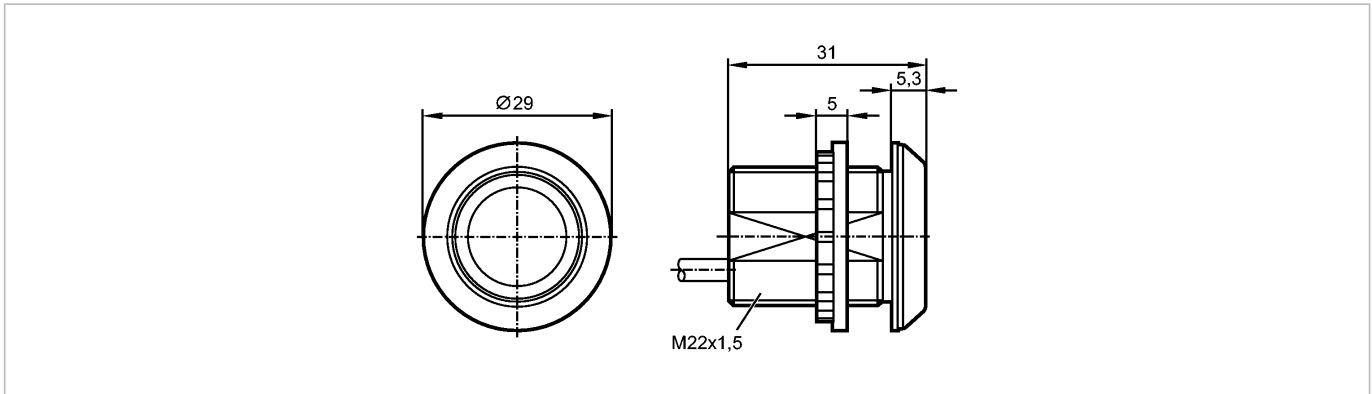


**KT5101**

KTRBFNUKBPKG/0.3M/DYN/M22

Touch sensors



Made in Germany

**Product characteristics**

Touch sensor	
Plastic housing	
Cable	
Touch sensor with dynamic evaluation principle	

**Electrical data**

Electrical design	DC PNP
Operating voltage [V]	24 DC (12...30 DC)
Current consumption [mA]	45

**Outputs**

Output function	normally open
Current rating [mA]	500
Short-circuit protection	yes
Overload protection	yes

**Reaction times**

Duration of output signal [ms]	300
--------------------------------	-----

**Environment**

Ambient temperature [°C]	-40...85
Protection	IP 65 / IP 67 / IP 69K; on the front

**Tests / approvals**

MTTF [Years]	352
--------------	-----

**Mechanical data**

Housing materials	PA66 GF30 black
-------------------	-----------------

**Displays / operating elements**

Output status indication LED	Red
Operation LED	green

**Electrical connection**

Connection	PUR cable / 0.3 m
------------	-------------------

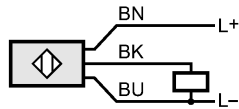
**Wiring**

## KT5101

KTRBFNUKBPKG/0.3M/DYN/M22

Touch sensors

- 1: brown
- 2: white n.c.
- 3: blue
- 4: black



### Accessories

Accessories (optional)

Diffuser

### Remarks

Pack quantity	[piece]	1
---------------	---------	---