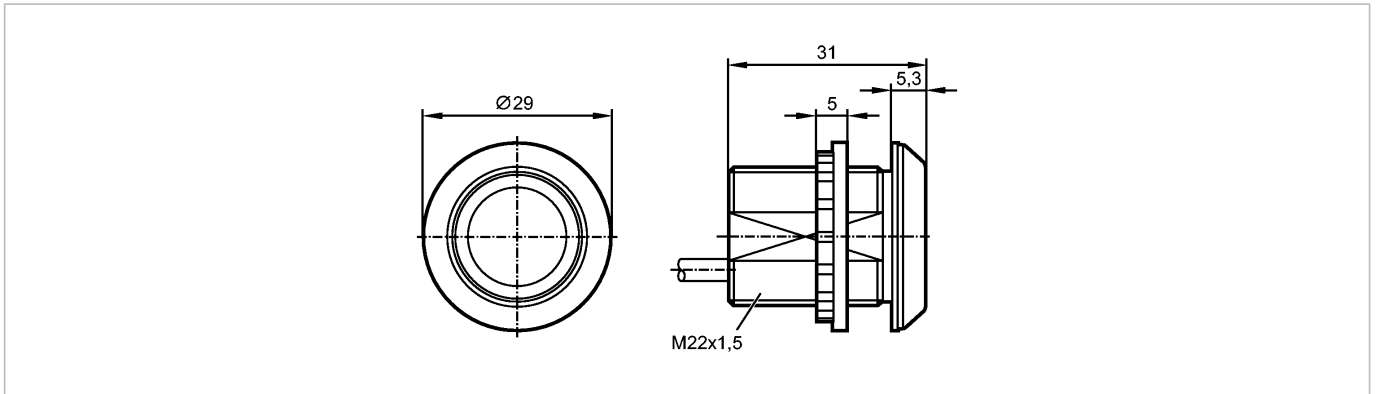


KT5102

KTRBFNUKBPKG/0.3M/DYN/M22

Touch sensors



Made in Germany

Product characteristics

Touch sensor	
Plastic housing	
Cable with connector	
Touch sensor with dynamic evaluation principle	

Electrical data

Electrical design		DC PNP
Operating voltage [V]		24 DC (12...30 DC)
Current consumption [mA]		45

Outputs

Output function		normally open
Current rating [mA]		500
Short-circuit protection		yes
Overload protection		yes

Reaction times

Duration of output signal [ms]		300
--------------------------------	--	-----

Environment

Ambient temperature [°C]		-40...85
Protection		IP 65 / IP 67 / IP 69K; on the front

Tests / approvals

MTTF [Years]		352
--------------	--	-----

Mechanical data

Housing materials		PA66 GF30 black
-------------------	--	-----------------

Displays / operating elements

Output status indication LED		Red
Operation LED		green

Electrical connection

Connection		PUR cable / 0.3 m; with M12 connector
------------	--	---------------------------------------

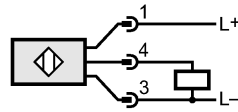
Wiring

KT5102

KTRBFNUKBPKG/0.3M/DYN/M22

Touch sensors

- 1: brown
- 2: white n.c.
- 3: blue
- 4: black



Accessories

Accessories (optional)

Diffuser

Remarks

Pack quantity	[piece]	1
---------------	---------	---