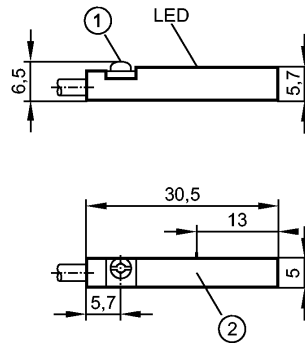


MR0100

MRT2021BAKOA/R/ZH

Magnetic sensors, cylinder sensors



1: Fastening clamp
2: sensing face

Made in Germany



Product characteristics

Cylinder sensor with reed contact
Plastic housing for T-slot cylinders
Cable
[f] flush mountable
Magnetic sensitivity 2.1 mT
Travel speed > 10 m/s

Electrical data

Electrical design	AC/DC PNP/NPN
Operating voltage [V]	5...120 AC/DC; (for UL supply class 2: 5...60 DC / 5...30 AC)
Protection class	II
Reverse polarity protection	yes

Outputs

Output function	normally open
Voltage drop [V]	< 5
Current rating [mA]	100 *)
Short-circuit proof	no
Overload protection	no
Switching frequency [Hz]	1000
Switching power (max.) [W]	10

Range

Magnetic sensitivity [mT]	2.1
Travel speed [m/s]	> 10

Accuracy / deviations

Hysteresis [mm]	1
Repeatability [mm]	± 0.2

Reaction times

Fall time [ms]	≤ 0.1
Make time incl. bounce [ms]	≤ 0.6

Environment

Ambient temperature [°C]	-25...70
Protection	IP 67

Tests / approvals

MR0100

MRT2021BAKOA/R/ZH

Magnetic sensors, cylinder sensors

EMC	EN 61000-4-2 ESD: - CD / 8 kV AD EN 61000-4-3 HF radiated: 10 V/m (80...2000 MHz) EN 61000-4-4 Burst: 2 kV EN 61000-4-5 Surge: 2 kV (line to line, Ri: 20hm) EN 61000-4-6 HF conducted: 10 V (0.15...80 MHz) EN 55011: class B
MTTF [Years]	11303

Mechanical data

Mounting	flush mountable
Housing materials	housing: PA (polyamide); Fastening clamp: stainless steel
Switching cycles when connected to PLC [million]	≤ 40
Weight [kg]	0.027

Displays / operating elements

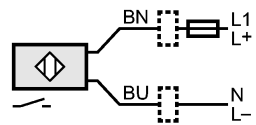
Output status indication	LED	yellow
--------------------------	-----	--------

Electrical connection

Connection	PUR cable / 2 m; 2 x 0.14 mm ²
------------	---

Wiring

Core colours
 BN brown
 BU blue



Note: miniature fuse to IEC60127-2 sheet 1, ≤ 0.175 A (fast acting)

Accessories

Accessories (included)	rubber placeholder; cable clip
------------------------	--------------------------------

Remarks

Remarks	*) External protective circuit for inductive load (valve, contactor, etc.) necessary. Clamping screw with combined slot/hexagon socket head AF 1.5 cULus - Class 2 source required No LED function in case of polarity reversal in DC operation. UL - Class 2 source required
---------	---

Pack quantity [piece]	1
-----------------------	---