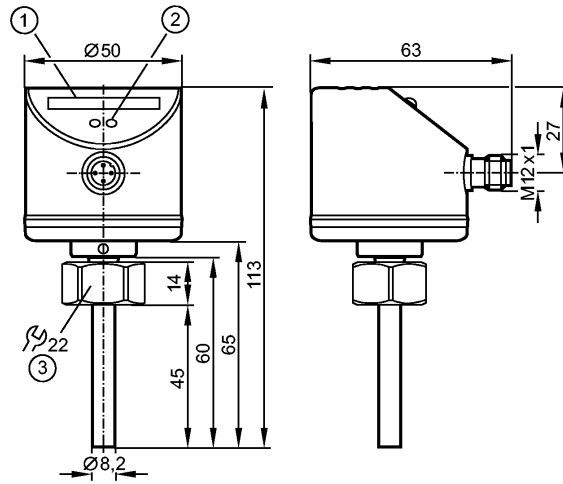


SI5011

SID10ADB FNKG/US-100

Flow sensors



- 1: LED display
- 2: setting pushbutton
- 3: tightening torque 25 Nm

Made in Germany



Product characteristics

Flow monitor	
Compact type for adapter	
Process connection: internal thread M18 x 1.5 for adapter	
Probe length: 45 mm	
Pressure rating: 300 bar	
Setting range: 3...300 cm/s (liquids)	

Application

Application	liquids and gases
Medium temperature [°C]	-25...80

Electrical data

Electrical design	DC NPN
Operating voltage [V]	19...36 DC
Current consumption [mA]	< 60
Protection class	III
Reverse polarity protection	yes

Outputs

Output function	normally open / closed programmable
Current rating [mA]	250
Voltage drop [V]	< 2.5
Short-circuit protection	pulsed
Overload protection	yes

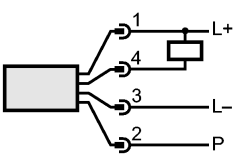
Measuring / setting range

Liquids		
Setting range [cm/s]		3...300
Greatest sensitivity [cm/s]		3...100
Gases		
Setting range [cm/s]		200...3000
Greatest sensitivity [cm/s]		200...800

SI5011

SID10ADBFG/US-100

Flow sensors

Accuracy / deviations		
Switch point accuracy	[cm/s]	± 2...± 10 *)
Hysteresis	[cm/s]	2...5 *)
Repeatability	[cm/s]	1...5 *)
Temperature drift	[cm/s x 1/K]	0.1 **)
Max. temperature gradient of medium	[K/min]	300
Reaction times		
Power-on delay time	[s]	10
Response time	[s]	1...2 ***) / 1...10 ****)
Software / programming		
Adjustment of the switch point		pushbuttons
Environment		
Pressure rating	[bar]	300
Ambient temperature	[°C]	-25...80
Storage temperature	[°C]	-25...100
Protection		IP 67
Tests / approvals		
EMC	EN 61000-4-2 ESD:	4 kV CD / 8 kV AD
	EN 61000-4-3 HF radiated:	10 V/m
	EN 61000-4-4 Burst:	2 kV
	EN 61000-4-6 HF conducted:	10 V
Shock resistance	DIN IEC 68-2-27:	50 g (11 ms)
Vibration resistance	DIN EN 60068-2-6:	20 g (55...2000 Hz)
MTTF	[Years]	271
Mechanical data		
Process connection		internal thread M18 x 1.5 for adapter
Materials (wetted parts)		stainless steel 316L / 1.4404; O-ring: FKM 8 x 1.5 gr 80° Shore A
Housing materials		stainless steel 316L / 1.4404; stainless steel / 301 / 1.4310; PC (polycarbonate); PBT-GF 20; EPDM/X
Probe length L	[mm]	45
Weight	[kg]	0.256
Displays / operating elements		
Function display	LED	10 LEDs, three-colour
Electrical connection		
Connection		M12 connector
Wiring 		
P = programming wire (for remote adjustment)		
Remarks		
Remarks		*) for water; 5...100 cm/s; 25°C (factory setting)



SI5011

SID10ADBFNKG/US-100

Flow sensors

**) for water; 5...100 cm/s; 10...70°C
***) for liquids and temperature gradient 1 K/min
****) for gases

Pack quantity	[piece]	1
---------------	---------	---