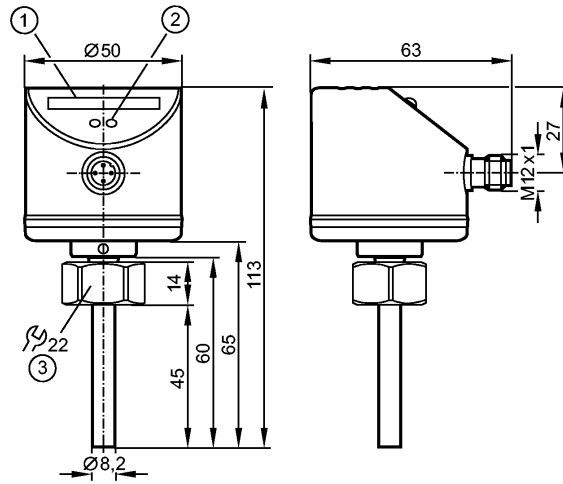


**SI0521**

SID10ADBFPKG/US-100

Flow sensors



- 1: LED display
- 2: setting pushbutton
- 3: tightening torque 25 Nm

Made in Germany



**Product characteristics**

Flow monitor	
Compact type for adapter	
Process connection: internal thread M18 x 1.5 for adapter	
Probe length: 45 mm	
2 switching outputs	
Setting range: 3...300 cm/s	

**Application**

Application	liquids
Medium temperature [°C]	-15...70

**Electrical data**

Electrical design	DC PNP
Operating voltage [V]	24 DC; (18...32 DC)
Current consumption [mA]	< 60
Protection class	III
Reverse polarity protection	yes

**Outputs**

Output function	2 x normally open / closed programmable
Current rating [mA]	2 x 250
Voltage drop [V]	< 2.5
Short-circuit protection	pulsed
Overload protection	yes

**Measuring / setting range**

Setting range [cm/s]	3...300
Greatest sensitivity [cm/s]	3...100

**Accuracy / deviations**

Switch point accuracy [cm/s]	± 10 *)
Hysteresis [cm/s]	2...5 *)
Repeatability [% of Sr]	1...5 *)

## SI0521

SID10ADBFPKG/US-100

Flow sensors

Temperature drift	[cm/s x 1/K]	0.1 **)
-------------------	--------------	---------

Max. temperature gradient of medium	[K/min]	300
-------------------------------------	---------	-----

### Reaction times

Power-on delay time	[s]	10
---------------------	-----	----

Response time	[s]	1...10
---------------	-----	--------

### Software / programming

Adjustment of the switch point	pushbuttons
--------------------------------	-------------

### Environment

Bursting pressure [bar]	300
-------------------------	-----

Nominal pressure [bar]	75
------------------------	----

Ambient temperature	[°C]	-25...80
---------------------	------	----------

Storage temperature	[°C]	-25...100
---------------------	------	-----------

Protection	IP 67
------------	-------

### Tests / approvals

EMC	DIN EN 61000-4-2 ESD: 6 kV CD / 8 kV AD DIN EN 61000-4-3 HF radiated: 10 V/m DIN EN 61000-4-4 Burst: 2 kV DIN EN 61000-4-5 Surge: 0.5 kV / 1 kV DIN EN 61000-4-6 HF conducted: 10 V
-----	---

Shock resistance	DIN EN 60068-2-27: 50 g (11 ms)
------------------	---------------------------------

Vibration resistance	DIN EN 60068-2-6: 1.6 mm (2...25 Hz) / 20 g (25...2000 Hz)
----------------------	--

MTTF	[Years]	267
------	---------	-----

### Mechanical data

Process connection	internal thread M18 x 1.5 for adapter
--------------------	---------------------------------------

Materials (wetted parts)	stainless steel 316L / 1.4404; O-ring: FKM 8 x 1.5 gr 80° Shore A
--------------------------	---

Housing materials	stainless steel 316L / 1.4404; stainless steel (301 S 22); PC (polycarbonate); PBT-GF 20; EPDM/X
-------------------	--

Probe length L	[mm]	45
----------------	------	----

Weight	[kg]	0.256
--------	------	-------

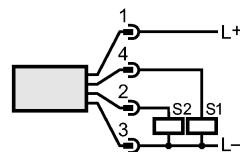
### Displays / operating elements

Function display	LED	10 LEDs, three-colour
------------------	-----	-----------------------

### Electrical connection

Connection	M12 connector
------------	---------------

#### Wiring



### Remarks

Remarks	*) for water; 5...100 cm/s; 25°C (factory setting) **) for water; 5...100 cm/s; 15...70°C
---------	--

Pack quantity	[piece]	1
---------------	---------	---



**SI0521**

SID10ADBFPKG/US-100

**Flow sensors**