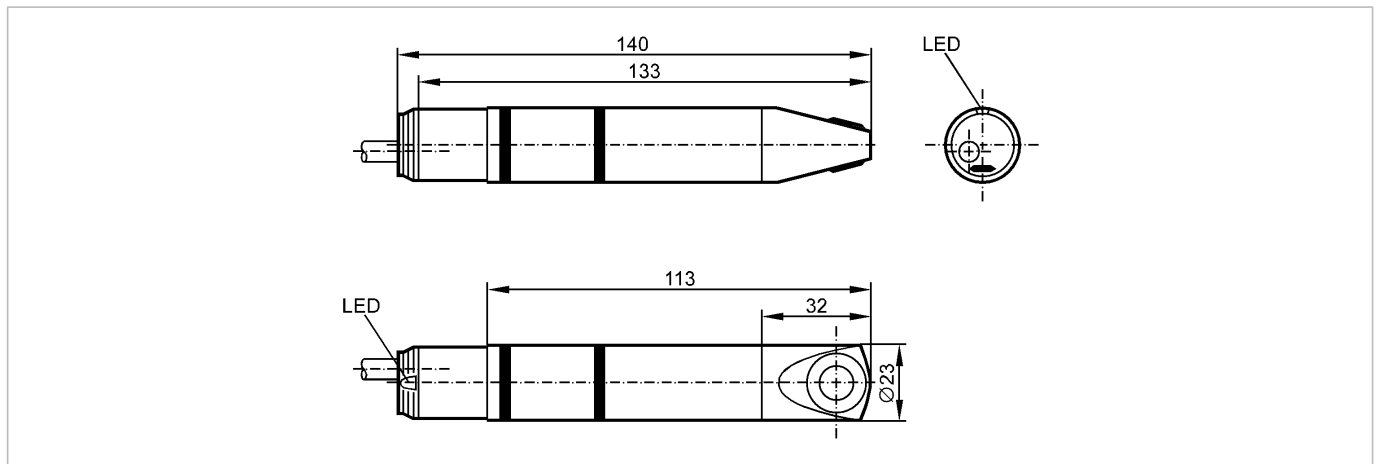


SL5201

SLG23XEE40KG/2M/BS

Flow sensors



Made in Germany



Product characteristics	
Airflow monitor	
Cylindrical type	
Process connection: Ø 23 mm	
Analogue output	
Application	
Medium temperature Gases [°C]	35...65
Electrical data	
Electrical design	DC
Operating voltage [V]	24 DC ± 10 %
Current consumption [mA]	< 35
Outputs	
Output function	0...10 V analogue
Measuring / setting range	
Flow range [cm/s]	200...2000 (= 1...10 V)
Accuracy / deviations	
Max. temperature gradient of medium [K/min]	1
Reaction times	
Power-on delay time [s]	90
Environment	
Pressure rating [bar]	1
Ambient temperature [°C]	-10...50
Max. relative air humidity [%]	90
Protection	IP 65
Tests / approvals	
MTTF [Years]	726
Mechanical data	
Process connection	Ø 23 mm
Materials (wetted parts)	PBT; titanium
Housing materials	housing: PBT; sensor surface: titanium
Weight [kg]	0.256
Displays / operating elements	

SL5201

SLG23XEE40KG/2M/BS

Flow sensors

Display

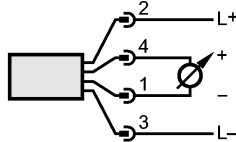
Operation LED green

Electrical connection

Connection

Cable with M16 connector / 2 m; 4 x 0.5 mm²

Wiring



Accessories

Accessories (included)

Mounting clamp (E40048)

Remarks

Pack quantity

[piece]

1