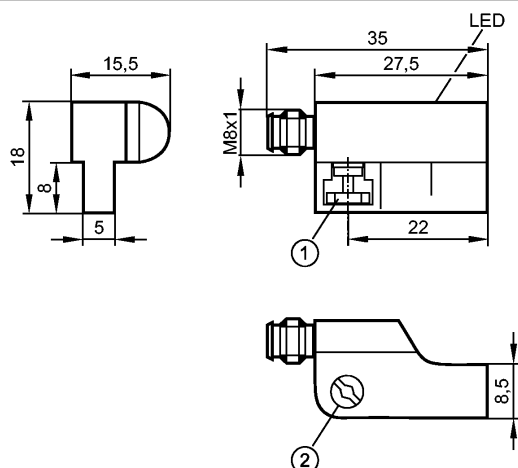


MK5902

MKI3020-ANKG/A/AS

Magnetic sensors, cylinder sensors



- 1: fixing element
- 2: combined head screw for fixing element



Made in Germany

Product characteristics

cylinder sensor with AMR cell
Plastic housing for T-slot cylinders
Connector
[nf] non-flush mountable
Magnetic sensitivity 2 mT
Travel speed > 10 m/s

Electrical data

Electrical design	DC NPN
Operating voltage [V]	10...30 DC
Current consumption [mA]	< 10
Protection class	III
Reverse polarity protection	yes
Power-on delay time [ms]	< 30

Outputs

Output function	normally open
Voltage drop [V]	< 2.5
Current rating [mA]	100
Short-circuit protection	yes
Overload protection	yes
Switching frequency [Hz]	6000

Range

Magnetic sensitivity [mT]	2
Travel speed [m/s]	> 10

Accuracy / deviations

Hysteresis [mm]	< 1
Repeatability [mm]	< 0.2

Environment

Ambient temperature [°C]	-25...85
Protection	IP 65 / IP 67

Tests / approvals

MK5902

MKI3020-ANKG/A/AS

Magnetic sensors, cylinder sensors

EMC	EN 61000-4-2 ESD:	- CD / 8 kV AD
	EN 61000-4-3 HF radiated:	10 V/m (80...2000 MHz)
	EN 61000-4-4 Burst:	2 kV
	EN 61000-4-6 HF conducted:	10 V (0.15...80 MHz)
	EN 55011:	class B
MTTF	[Years]	1961

Mechanical data

Mounting	non-flush mountable
Housing materials	housing: PA (polyamide); fixing element: stainless steel / brass
Weight	[kg] 0.012

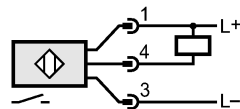
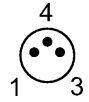
Displays / operating elements

Output status indication	LED	yellow
--------------------------	-----	--------

Electrical connection

Connection	M8 connector; (snap-fit)
------------	--------------------------

Wiring



Accessories

Accessories (included)	rubber placeholder
------------------------	--------------------

Remarks

Remarks	fixing element with combined head slot/hexagon socket AF 1.5 cULus - Class 2 source required
---------	---

Pack quantity	[piece] 1
---------------	-----------