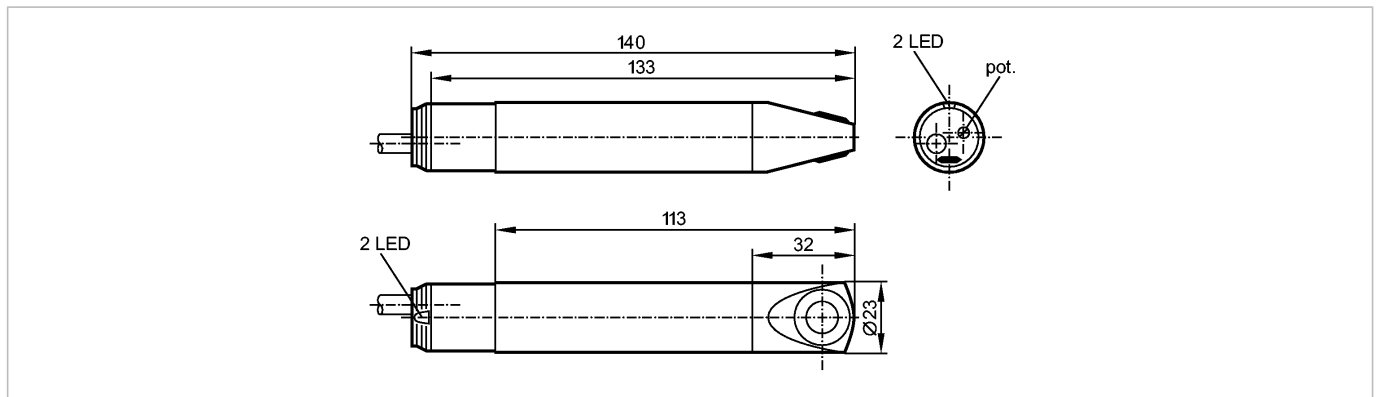


SL5105

SLG23CEEAKOG/24VDC

Flow sensors



Made in Germany

Product characteristics		
Airflow monitor		
Cylindrical type		
Process connection: Ø 23 mm		
Application		
Medium temperature Gases	[°C]	-10...50
Electrical data		
Electrical design		DC
Operating voltage	[V]	24 DC ± 25 %
Power consumption	[VA]	1
Outputs		
Output function		relay energised when flow is present
Contact rating		3 A (30 V DC / 250 V AC)
Measuring / setting range		
Setting range	[cm/s]	100...1000
Greatest sensitivity	[cm/s]	100...400
Accuracy / deviations		
Max. temperature gradient of medium	[K/min]	5
Reaction times		
Response time	[s]	3...60
Software / programming		
Adjustment of the switch point		potentiometer
Environment		
Pressure rating	[bar]	1
Ambient temperature	[°C]	-10...50
Max. relative air humidity	[%]	90
Protection		IP 65
Tests / approvals		
MTTF	[Years]	1202
Mechanical data		
Process connection		Ø 23 mm
Materials (wetted parts)		PBT; titanium
Housing materials		housing: PBT; sensor surface: titanium

SL5105

SLG23CEEAKOG/24VDC

Flow sensors

Weight	[kg]	0.256
--------	------	-------

Displays / operating elements

Function display	LED	1 x red / 1 x green
------------------	-----	---------------------

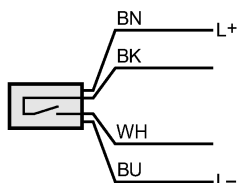
Electrical connection

Connection	PUR / PVC cable / 2 m; 4 x 0.5 mm ²
------------	--

Wiring

Core colours

BN brown
 BU blue
 BK black
 WH white



Accessories

Accessories (included)	Mounting clamp (E40048); screwdriver
------------------------	--------------------------------------

Remarks

Pack quantity	[piece]	1
---------------	---------	---