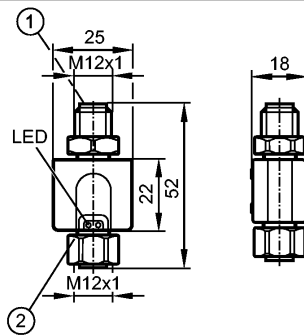


TP9237

TP- CEC -B-DVG/US/

Evaluation systems



1: connection for voltage supply and output signals
2: connection for temperature sensor

Made in USA



Product characteristics

Measured signal converter for temperature sensors

for Pt100 and Pt1000 measuring elements

Analogue output 0...10 V

Measuring range: -50...300 °C / -58...572 °F

Electrical data

Electrical design		DC
Operating voltage	[V]	18...32 DC
Protection class		III
Reverse polarity protection		yes

Outputs

Output		Analogue output 0...10 V
Output function		0...10 V analogue
Short-circuit protection		pulsed
Overload protection		yes
Analogue output		0...10 V; Rmin: 2000 Ω

Measuring / setting range

Measuring range	[°C/°F]	-50...300 / -58...572
Factory setting		0...100 °C

Accuracy / deviations

Analogue output	[K]	± 0.3 + (± 0.1 % MS)
Temperature coefficients (in % of the span per 10 K)		0.1
Measured value via IO-Link	[K]	± 0.3 + (± 0.1 % MS)

Reaction times

Power-on delay time	[s]	1
Measuring / display cycle [ms]	[ms]	100
Integrated watchdog		yes

Interfaces

IO-Link Device		
Transfer type		COM2 (38.4 kBaud)
IO-Link revision		1.1

Environment

Ambient temperature	[°C]	-25...70
---------------------	------	----------

TP9237

TP- CEC -B-DVG/US/

Evaluation systems

Storage temperature	[°C]	-40...85
Protection		IP 67

Tests / approvals

EMC		EN 61326-1
Shock resistance	DIN IEC 68-2-27:	50 g (11 ms)
Vibration resistance	DIN IEC 68-2-6:	20 g (10...2000 Hz)
MTTF	[Years]	505.11

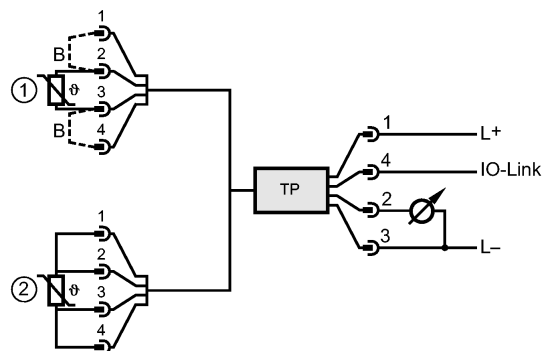
Mechanical data

Housing materials	PA PACM 12 (TROGAMID); PET; sealing: FPM (Viton); nut: stainless steel 316L / 1.4404; connector: TPU	
Weight	[kg]	0.256

Electrical connection

Connection	M12 connector; Gold-plated contacts
------------	-------------------------------------

Wiring



- 1: Two-wire sensor
- 2: Four-wire sensor
- B: link

Remarks

Remarks	cULus - Class 2 source required The measuring range can be scaled: -50... 300 °C / -58...572 °F MS = set measuring span
---------	--

Pack quantity	[piece]	1
---------------	---------	---