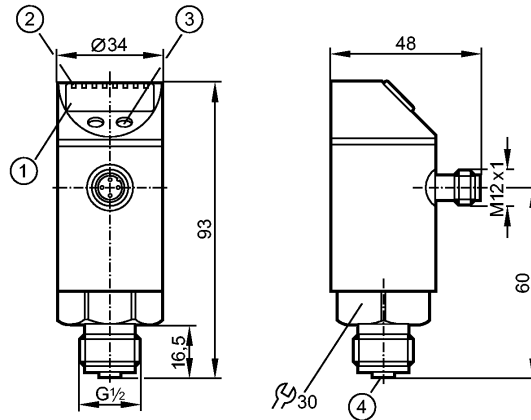


TR7432

TR-...KDBR12-QFRKG/US/...../V

Evaluation systems



- 1: 4-digit alphanumeric display
- 2: LEDs
- 3: Programming button
- 4: connector for temperature sensor (M12 x 1)

Made in USA



Product characteristics

Evaluation unit for temperature sensors

Process connection: G 1/2 A

for Pt100 and Pt1000 measuring elements

2 switching outputs

4-digit alphanumeric display

Measuring range: -40...300 °C / -40...572 °F

Electrical data

Electrical design	DC PNP/NPN
Operating voltage [V]	18...32 DC
Current consumption [mA]	< 50
Protection class	III
Reverse polarity protection	yes

Outputs

Output	2 switching outputs
Output function	2 x normally open / closed programmable
Current rating [mA]	250
Voltage drop [V]	< 2
Short-circuit protection	pulsed
Overload protection	yes

Measuring / setting range

Measuring range [°C/°F]	-40...300 / -40...572
Setting range	
Set point, SP [°C/°F]	-39.8...300.0 / -39.6...572.0
Reset point, rP [°C/°F]	-40.0...299.8 / -40.0...571.6
in steps of [°C/°F]	0.1 / 0.1
Resolution	
Switching output [K]	0.1
Display [K]	0.1

Accuracy / deviations

TR7432

TR-...KDBR12-QFRKG/US/...../V

Evaluation systems

Switch point accuracy	[K]	± 0.3
Display	[K]	± 0.3
Temperature drift (/ 10 K)		0.1

Reaction times		
Power-on delay time	[s]	1
Integrated watchdog		yes

Interfaces		
IO-Link Device		
Transfer type		COM2 (38.4 kBaud)
IO-Link revision		1.0

Environment		
Ambient temperature	[°C]	-25...70
Storage temperature	[°C]	-40...85
Protection		IP 67

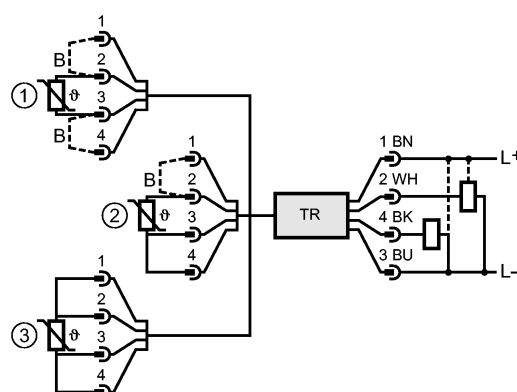
Tests / approvals		
EMC	EN 61000-4-2 ESD:	4 kV CD / 8 kV AD
	EN 61000-4-3 HF radiated:	10 V/m
	EN 61000-4-4 Burst:	2 kV
	EN 61000-4-5 Surge:	1 kV
	EN 61000-4-6 HF conducted:	10 V
Shock resistance	DIN IEC 68-2-27:	50 g (11 ms)
Vibration resistance	DIN EN 60068-2-6:	20 g (10...2000 Hz)
MTTF	[Years]	240

Mechanical data		
Process connection		G ½ A
Housing materials		stainless steel (304S15); stainless steel (303S22); EPDM/X (Santoprene); PC (Makrolon); PBT (Pocan); FPM (Viton)
Weight	[kg]	0.256

Displays / operating elements		
Display	Display unit	2 x LED green
	Switching status	2 x LED yellow
	Measured values	4-digit alphanumeric display
	Programming	4-digit alphanumeric display

Electrical connection		
Connection		M12 connector; Gold-plated contacts

Wiring





TR7432

TR-...KDBR12-QFRKG/US/...../V

Evaluation systems

- 1: Two-wire sensor
- 2: Three-wire sensor
- 3: Four-wire sensor
- B: link

Remarks

Remarks	cULus - Class 2 source required
Pack quantity [piece]	1