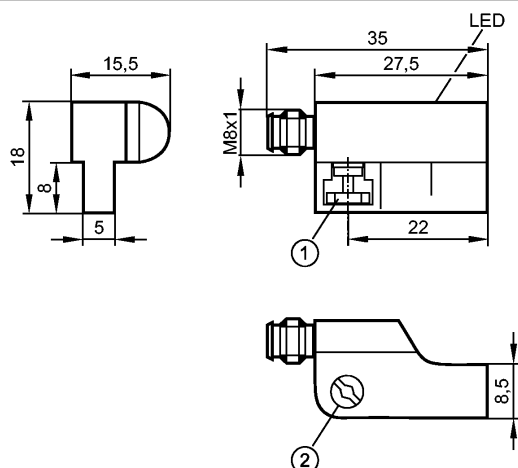


MR0901

MRI2021-AKOA/R/AS

Magnetic sensors, cylinder sensors



1: fixing element
2: combined head screw for fixing element

Made in Germany



Product characteristics

Cylinder sensor with reed contact
Plastic housing for T-slot cylinders
Connector
[nf] non-flush mountable
Magnetic sensitivity 2.1 mT
Travel speed > 10 m/s

Electrical data

Electrical design	AC/DC PNP/NPN
Operating voltage [V]	5...50 AC / 5...60 DC; (for cULus supply class 2: 5...30 AC / 5...60 DC)
Protection class	III
Reverse polarity protection	yes

Outputs

Output function	normally open
Voltage drop [V]	< 5
Current rating [mA]	100 *)
Short-circuit protection	no
Overload protection	no
Switching frequency [Hz]	1000
Switching power (max.) [W]	10

Range

Magnetic sensitivity [mT]	2.1
Travel speed [m/s]	> 10

Accuracy / deviations

Hysteresis [mm]	1
Repeatability [mm]	< 0.2

Reaction times

Fall time [ms]	≤ 0.1
Make time incl. bounce [ms]	≤ 0.6

Environment

Ambient temperature [°C]	-25...70
--------------------------	----------

MR0901

MRI2021-AKOA/R/AS

Magnetic sensors, cylinder sensors

Protection	IP 65 / IP 67
------------	---------------

Tests / approvals

EMC	EN 61000-4-2 ESD: - CD / 8 kV AD EN 61000-4-3 HF radiated: 10 V/m (80...2000 MHz) EN 61000-4-4 Burst: 2 kV EN 61000-4-5 Surge: 0.5 kV (line to line, Ri: 2Ohm) EN 61000-4-6 HF conducted: 10 V (0.15...80 MHz) EN 55011: class B
-----	---

MTTF [Years]	9434
--------------	------

Mechanical data

Mounting	non-flush mountable
----------	---------------------

Housing materials	housing: PA (polyamide); Fastening clamp: stainless steel / brass
-------------------	---

Switching cycles when connected to PLC [million]	≤ 40
--	------

Weight [kg]	0.013
-------------	-------

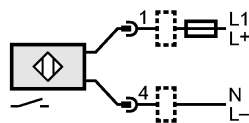
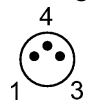
Displays / operating elements

Output status indication LED	yellow
------------------------------	--------

Electrical connection

Connection	M8 connector; (snap-fit)
------------	--------------------------

Wiring



Note: miniature fuse to IEC60127-2 sheet 1, ≤ 0.175 A (fast acting)

Accessories

Accessories (included)	rubber placeholder
------------------------	--------------------

Remarks

Remarks	*) External protective circuit for inductive load (valve, contactor, etc.) necessary. Clamping screw with combined slot/hexagon socket head AF 1.5 No LED function in case of polarity reversal in DC operation. Recommendation: check the unit for reliable function after a short circuit. cULus - Class 2 source required
---------	--

Pack quantity [piece]	1
-----------------------	---