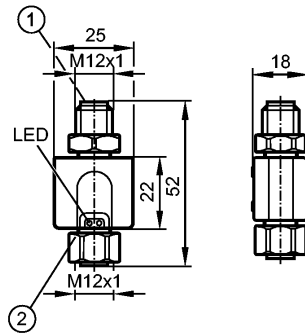


TP3232

TP- CEC -A-ZVG/US/

Evaluation systems



1: connection for voltage supply and output signals
 2: connection for temperature sensor

Made in USA



Product characteristics

Measured signal converter for temperature sensors
 for Pt100 and Pt1000 measuring elements
 Analogue output 4...20 mA
 Measuring range: -50...300 °C / -58...572 °F

Electrical data

Electrical design	DC
Operating voltage [V]	20...32 DC
Protection class	III
Reverse polarity protection	yes

Outputs

Output	Analogue output 4...20 mA
Output function	4...20 mA analogue
Short-circuit protection	pulsed
Overload protection	yes
Analogue output	4...20 mA; Rmax: 300 Ω

Measuring / setting range

Measuring range [°C/°F]	-50...300 / -58...572
Factory setting	-50...300 °C

Accuracy / deviations

Analogue output [K]	± 0.3 + (± 0.1 % MS)
Temperature coefficients (in % of the span per 10 K)	0.1
Measured value via IO-Link [K]	± 0.3 + (± 0.1 % MS)

Reaction times

Power-on delay time [s]	1
Measuring / display cycle [ms] [ms]	100
Integrated watchdog	yes

Interfaces

IO-Link Device	
Transfer type	COM2 (38.4 kBaud)
IO-Link revision	1.0

Environment

Ambient temperature [°C]	-25...70
--------------------------	----------

TP3232

TP- CEC -A-ZVG/US/

Evaluation systems

Storage temperature	[°C]	-40...85
Protection		IP 67

Tests / approvals

EMC		EN 61326-1
Shock resistance	DIN IEC 68-2-27:	50 g (11 ms)
Vibration resistance	DIN IEC 68-2-6:	20 g (10...2000 Hz)
MTTF	[Years]	449

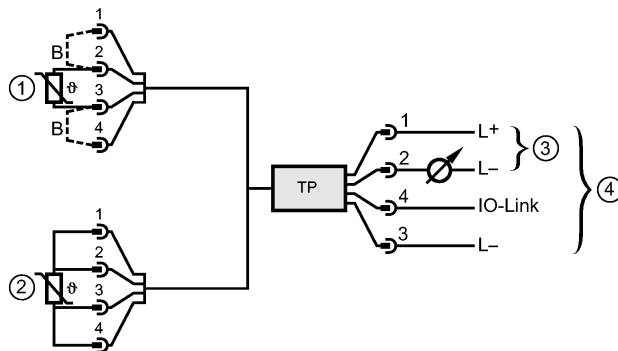
Mechanical data

Housing materials	PA PACM 12 (TROGAMID); PET; sealing: FPM (Viton); nut: stainless steel 316L / 1.4404; connector: TPU	
Weight	[kg]	0.256

Electrical connection

Connection	M12 connector; Gold-plated contacts
------------	-------------------------------------

Wiring



- 1: Two-wire sensor
- 2: Four-wire sensor
- 3: Operation as 2-wire temperature transmitter
- 4: Operation as 3-wire unit, IO-Link communication possible
- B: link

Remarks

Remarks	cULus - Class 2 source required The measuring range can be scaled: -50... 300 °C / -58...572 °F MS = set measuring span
---------	--

Pack quantity	[piece]	1
---------------	---------	---