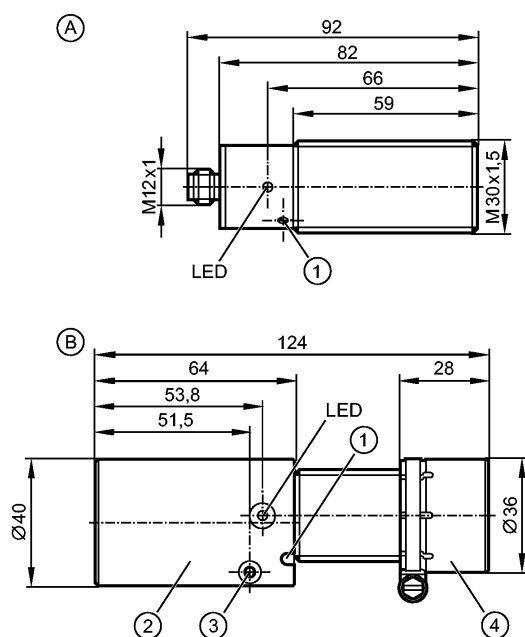


DI506A

DIA3010-ZPKG/US/3D/5S

Evaluation systems, power supplies



- A: Sensor
- B: sensor with impact protection housing
- 1: potentiometer
- 2: impact protection housing for the connector
- 3: clamping screw
- 4: impact protection housing for the sensor

Made in Germany



Product characteristics

Compact speed monitor M30
DIA
M30 x 1.5
Connector
ATEX approval
Group II, category 3D
Sensing range 10 mm [f]
flush mountable

Application

Application	simple evaluation of rotating and linear movement with regard to underspeed; blocking
Switching function	output is switched during the start-up delay and if (f actual) is greater than (f preset)
Electrical design	DC PNP
Switching output	normally open

Electrical data

Nominal voltage	[V]	10...36 DC
Current consumption	[mA]	< 15
Reverse polarity protection		yes
Protection class		III

Outputs

Transistor		
Current rating (continuous)	[mA]	250
Current rating (peak)	[mA]	250

DI506A

DIA3010-ZPKG/US/3D/5S

Evaluation systems, power supplies

Switching frequency	[Hz]	100
Voltage drop	[V]	< 2.5
Short-circuit proof		yes
Overload protection		yes

Range		
Sensing range	[mm]	10, without impact protection housing [f], with impact protection housing [nf] 7 mm
Real sensing range (Sr)	[mm]	10 ± 10 %; without impact protection housing (f)
Operating distance	[mm]	0...5; with impact protection housing (nf)
Correction factors		mild steel = 1 / stainless steel approx. 0.7 / brass approx. 0.5 / Al approx. 0.4 / Cu approx. 0.3

Measuring / setting range		
Setting range	[pulses/min.]	5...300
Adjustment of the switch point		multiturn potentiometer
Hysteresis	[% of Sp]	10
Start-up delay	[s]	5 *)

Reaction times		
Damping frequency (max.)	[pulses/min]	15000

Environment		
Ambient temperature	[°C]	-20...50
Protection		IP 67

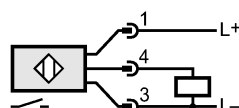
Tests / approvals		
Marking of the unit		⊕ II 3D Ex tc IIIC T80°C Dc IP67 U ***)
EMC		EN 60947-5-2

Mechanical data		
Mounting		flush mountable
Housing materials		Brass special coating; PBT; PPE; TPE-U; PA 6.6
Weight	[kg]	0.302

Displays / operating elements		
Input pulses	LED	yellow
Output status indication	LED	green

Electrical connection		
Connection		M12 connector

Wiring



Accessories		
Accessories (included)		2 lock nuts; impact protection housing; Mounting clamp

Remarks		
Remarks		*) typical ***) only in conjunction with the impact protective housing



DI506A

DIA3010-ZPKG/US/3D/5S

Evaluation systems, power supplies

Pack quantity	[piece]	1
---------------	---------	---