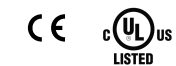
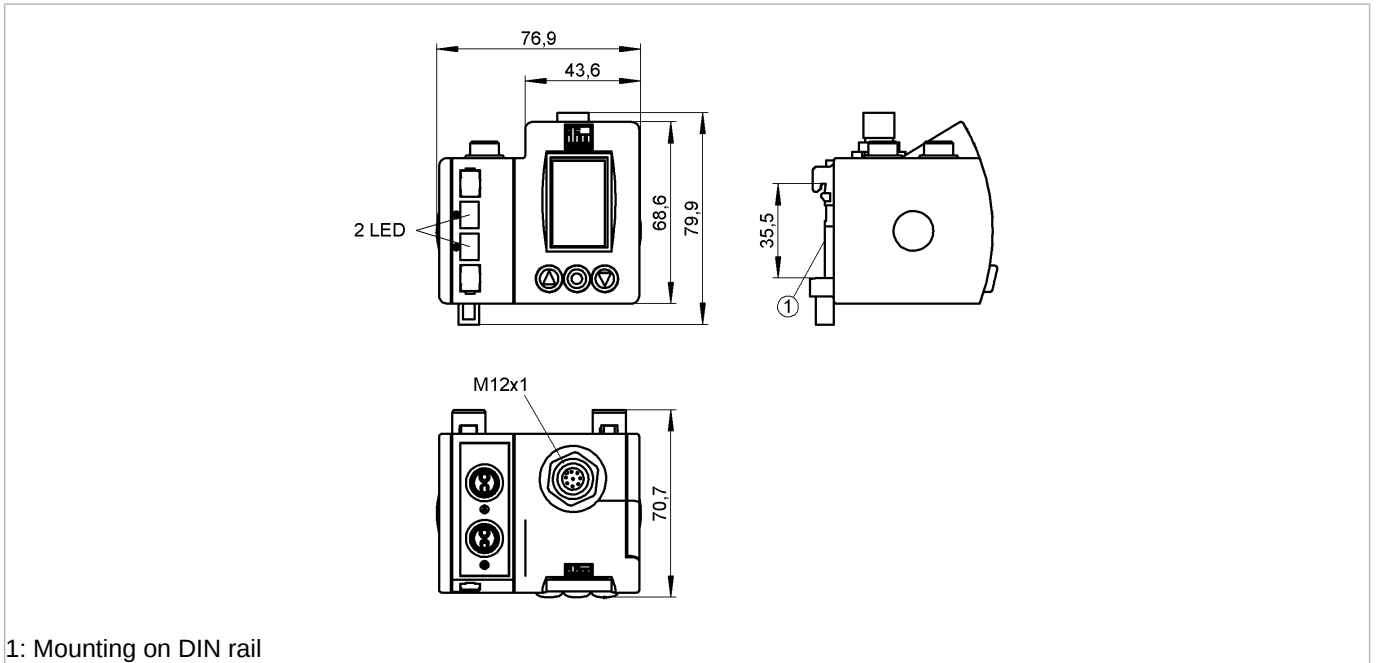


OO5004

OO5004 OOF-FPKG/M12/GL2

Photoelectric sensors



Made in Germany

Product characteristics

Fibre-optic amplifier
Plastic housing
Connector
2 channels for 2 glass fibre optics Types FE-00 / FT-00
No mutual optical interference
Graphic display
Central operation
Electronic lock
Function check output
Sensing range 400mm (Through-beam sensor)
Range 0...200mm (Diffuse reflection sensor)
adjustable

Electrical data

Electrical design	DC PNP
Operating voltage [V]	12...36 DC
Current consumption [mA]	50 (24 V DC)
Power consumption [VA]	1.1
Type of light	Red light 630 nm
Protection class	III
Reverse polarity protection	yes

Outputs

Output function	light-on / dark-on programmable
Voltage drop [V]	< 2
Current rating	
- Switching output [mA]	200
- Function check output [mA]	200
Short-circuit protection	pulsed

OO5004

OO5004
OO5004

Photoelectric sensors

Overload protection		yes
Switching frequency	[Hz]	2700 typ.
Timer	[s]	0.001...0.1

Range		
Sensing range	[m]	0.4 (Through-beam sensor)
Range	[mm]	0...200 (Diffuse reflection sensor)

Measuring / setting range		
Possible settings		- automatic and manual switch point setting - logic functions AND; OR - second switch point

Environment		
Ambient temperature	[°C]	-20...60
Protection		IP 65

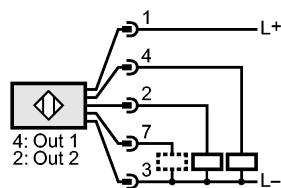
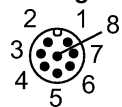
Tests / approvals		
EMC		EN 60947-5-2 EN 55011: class B

Mechanical data		
Housing materials		housing: ABS; display window: PMMA; LED window: SEPS; cover: diecast zinc plastic coated (PA)
Weight	[kg]	0.463

Displays / operating elements		
Display		Display unit full graphic LCD display Switching status 2 x LED yellow
Display options		- display can be rotated by 180° - language selection (German, English, French)

Electrical connection		
Connection		M12 connector

Wiring



7: function check

Accessories		
Accessories (included)		DIN rail EN60715; length: 65 mm

Remarks		
Remarks		cULus - Class 2 source required
Pack quantity	[piece]	1