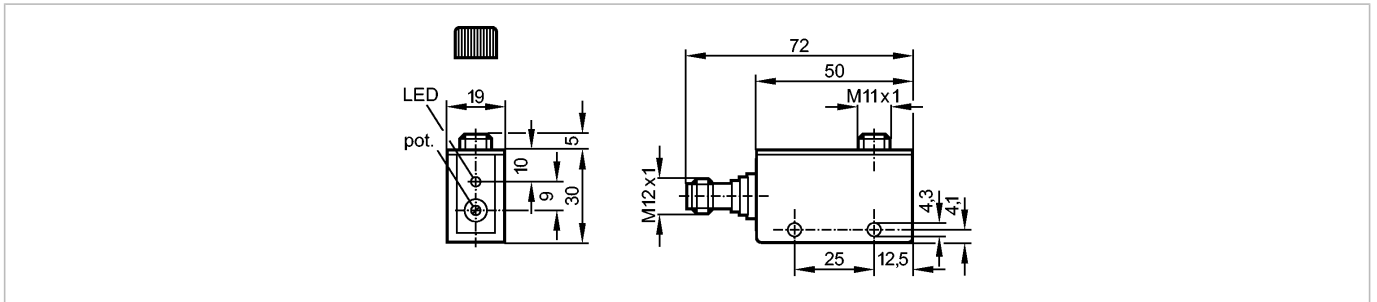


OK5022

OKF-FNKG/US-100-DNF

Photoelectric sensors



Made in Germany

Product characteristics		
Fibre-optic amplifier		
Rectangular, plastics		
Connector		
Sensing range 0...120mm (Through-beam sensor)		
Range 0...40mm (Diffuse reflection sensor)		
adjustable		
Electrical data		
Electrical design		DC NPN
Operating voltage	[V]	10...50 DC
Current consumption	[mA]	< 30 (24 V)
Type of light		Red light 660 nm
Protection class		III
Reverse polarity protection		yes
Outputs		
Output function		light-on / dark-on programmable
Voltage drop	[V]	< 2.5
Current rating	[mA]	250
Short-circuit protection		pulsed
Overload protection		yes
Switching frequency	[Hz]	120
Range		
Sensing range	[m]	0...0.12 (Through-beam sensor)
Range	[mm]	0...40 (Diffuse reflection sensor)
Environment		
Ambient temperature	[°C]	-25...60
Protection		IP 65
Tests / approvals		
EMC		EN 60947-5-2
MTTF	[Years]	529
Mechanical data		
Housing materials		modified PPO
Weight	[kg]	0.066
Displays / operating elements		
Output status indication	LED	yellow
Electrical connection		

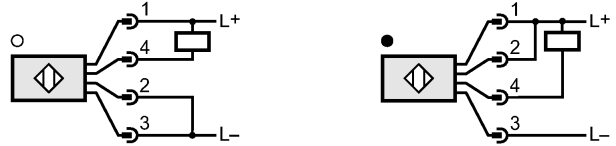
OK5022

OKF-FNKG/US-100-DNF

Photoelectric sensors

Connection	M12 connector
------------	---------------

Wiring



Accessories

Accessories (included)	screwdriver; 2 mounting screws; M4 x 25; 2 washers; 2 spring washers; 2 nuts
------------------------	--

Remarks

Remarks	<p>When through-beam fibre optics are connected light-on mode means the output function "NC" and when diffuse reflection fibre optics are connected the output function "NO".</p> <p>When through-beam fibre optics are connected dark-on mode means the output function "NO" and when diffuse reflection fibre optics are connected the output function "NC"</p>
---------	---

Pack quantity	[piece]	1
---------------	---------	---