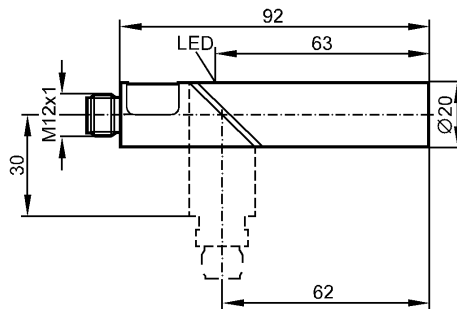


IA5135

IAE2010-FRKG/US-100-IRF

Inductive sensors



Made in Germany



Product characteristics

Inductive sensor
Plastic housing Ø 20 mm
Connector
Sensing range 10 mm; [nf] non-flush mountable

Electrical data

Electrical design	DC PNP/NPN
Operating voltage [V]	10...55 DC
Protection class	II
Reverse polarity protection	yes

Outputs

Output function	normally open / closed programmable
Voltage drop [V]	< 4.6
Minimum load current [mA]	5
Leakage current [mA]	< 1
Current rating [mA]	400
Short-circuit protection	pulsed
Overload protection	yes
Switching frequency [Hz]	450

Range

Sensing range [mm]	10
Real sensing range (Sr) [mm]	10 ± 10 %
Operating distance [mm]	0...8.1

Accuracy / deviations

Correction factors	mild steel = 1 / stainless steel approx. 0.7 / brass approx. 0.4 / Al approx. 0.3 / Cu approx. 0.2
Hysteresis [% of Sr]	1...15
Switch-point drift [% of Sr]	-10...10

Environment

Ambient temperature [°C]	-25...80
Protection	IP 65

Tests / approvals

EMC	EN 60947-5-2
-----	--------------

IA5135

IAE2010-FRKG/US-100-IRF

Inductive sensors

		EN 55011:	class B
MTTF	[Years]	1759	

Mechanical data

Mounting	non-flush mountable		
Housing materials	PBT; end cap: polycarbonate		
Weight	[kg]	0.092	

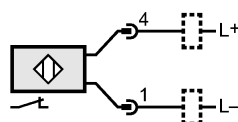
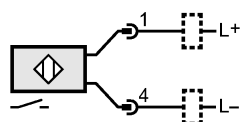
Displays / operating elements

Output status indication	LED	yellow	
--------------------------	-----	--------	--

Electrical connection

Connection	M12 connector		
------------	---------------	--	--

Wiring



Accessories

Accessories (included)	Mounting clamp		
------------------------	----------------	--	--

Remarks

Pack quantity	[piece]	1	
---------------	---------	---	--