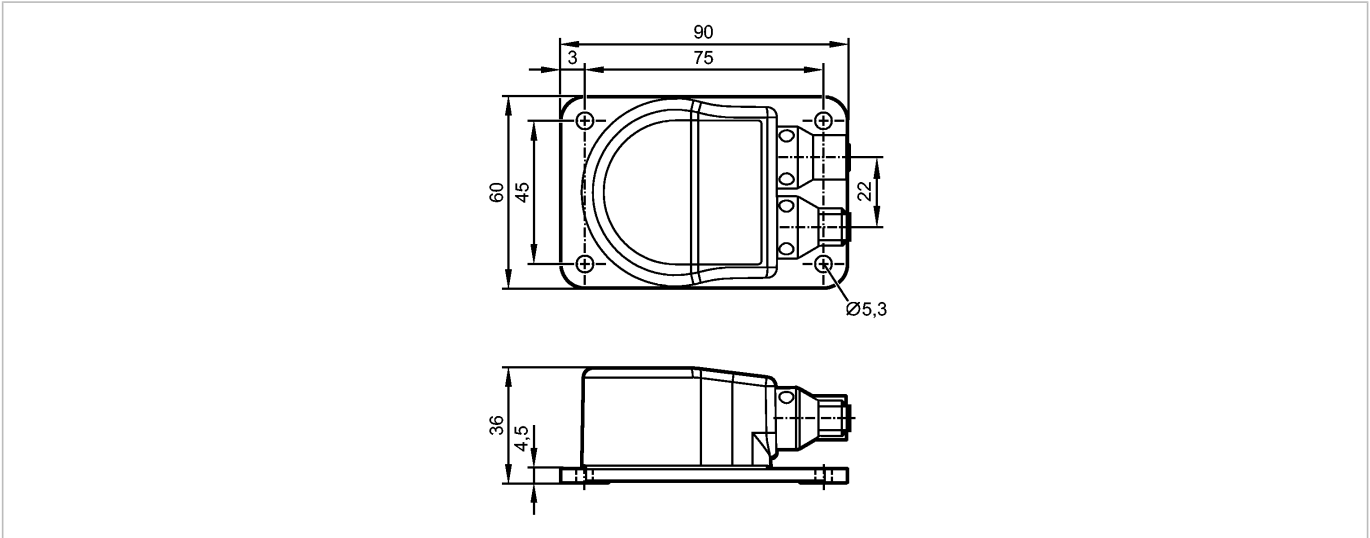




JN2100

INC-M2M360C -KG/US

Diagnostic systems



Made in Germany

Product characteristics

Inclination sensor	
0...360° / ± 180°	
CANopen interface	
Self-test function	
Heartbeat	
Emergency messages available	

Application

Application	2-axis position detection and zero point levelling for mobile applications
-------------	--

Electrical data

Operating voltage [V]	9.2...30
Current consumption [mA]	70 (24 V); < 70 mA (24 V) typical at 25° C with heating; < 25 mA (24 V) without heating; < max. 170 mA (24 V) with heating
Reverse polarity protection	yes

Accuracy / deviations

Accuracy	≤ ± 0.5°
Temperature coefficient [1/K]	≤ ± 0.002°
Resolution	0.05°
Repeatability	≤ ± 0.1°

Interfaces

Data interface	CANopen CiA DS-301 / device profile CiA DSP-410
----------------	---

Environment

Ambient temperature [°C]	-40...85
Storage temperature [°C]	-40...85
Protection	IP 65 / IP 67 / IP 68 / IP 69K

Mechanical data

Limit frequency [Hz]	adjustable: 20, 10, 5, 1, 0.5
Linearity deviation [°]	± 0.2
Number of measurement axes	2
Housing materials	housing: diecast zinc nickel-plated
Angular range	0...360° / ± 180°



JN2100

INC-M2M360C -KG/US

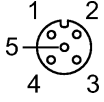
Diagnostic systems

Electrical connection

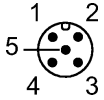
Connection

2 x M12 connector

Wiring



plug M12	Socket M12
CAN-In	CAN-Out
1: CAN screen	1: CAN screen
2: + UB	2: + UB
3: CAN_GND	3: CAN_GND
4: CAN_H	4: CAN_H
5: CAN_L	5: CAN_L



Remarks

Pack quantity

[piece]

1