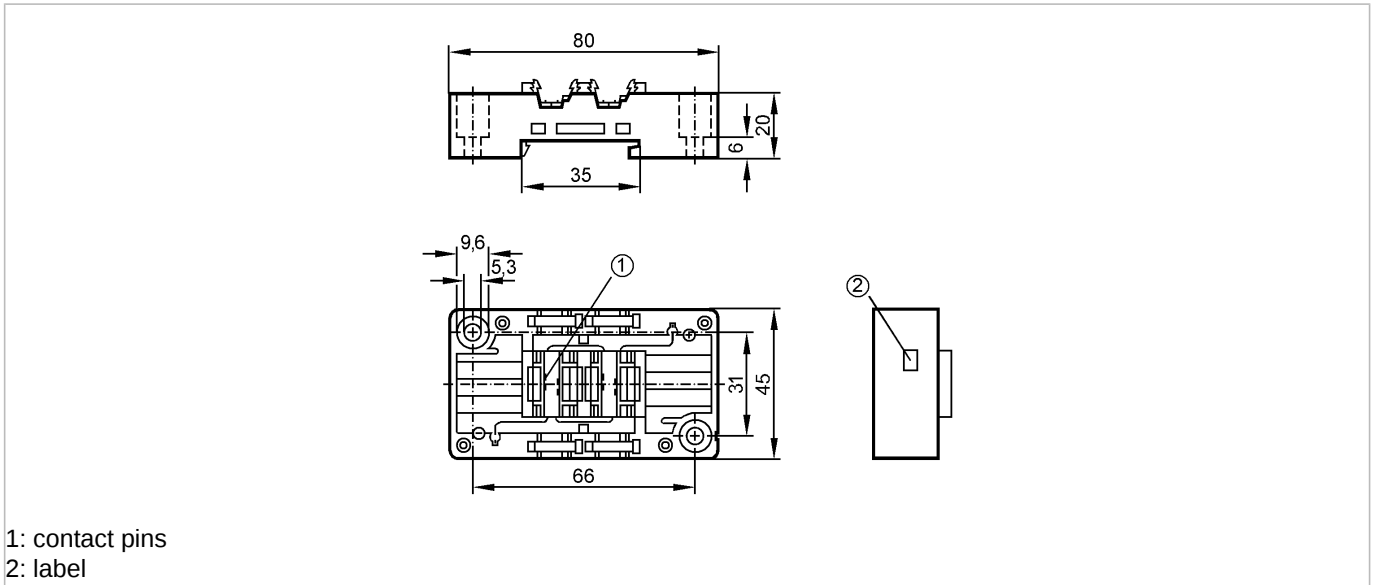


**AC5014**

EMS-Base FC V2A

Bus system AS-Interface



**Product characteristics**

Module lower part flat cable

Mounting on DIN rail and panel

Quick mounting technology for AS-i flat cable

stainless steel

AS-i interface to module upper part

**Electrical data**

Electrical design FC coupling module

Operating voltage [V] 26.5...31.6 DC

**Environment**

Ambient temperature [°C] -25...85

Protection IP 67; IP 20 / IP 65 / IP 67 depending on the upper part used

**Mechanical data**

Housing materials PBT (Pocan); stainless steel (303S22)

Weight [kg] 0.061

**Electrical connection**

Connection via contact pins in the unit

Contact rating < 2

**Remarks**

Pack quantity [piece] 1