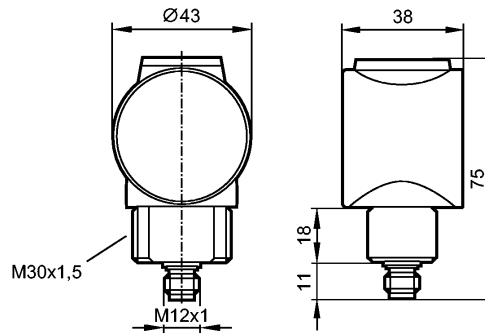


OIP281

OIP-HPKG/US/15M

Photoelectric sensors



transmitter in lower lens, Receiver in upper lens

Made in USA



Product characteristics

Retro-reflective sensor
Connector
Polarisation filter
Sensing range 0.1...15m (Prismatic reflector Ø 80 (E20005))

Electrical data

Electrical design	DC PNP
Operating voltage [V]	10...30 DC
Current consumption [mA]	20
Type of light	red light 624 nm
Protection class	III
Reverse polarity protection	yes

Outputs

Output function	light-on mode
Voltage drop [V]	< 2.5
Current rating [mA]	200
Short-circuit protection	pulsed
Overload protection	yes
Switching frequency [Hz]	1000

Range

Sensing range [m]	0.1...15 (Prismatic reflector Ø 80 (E20005))
Light spot diameter [mm]	100 x 130 (Sensing range 5 m)

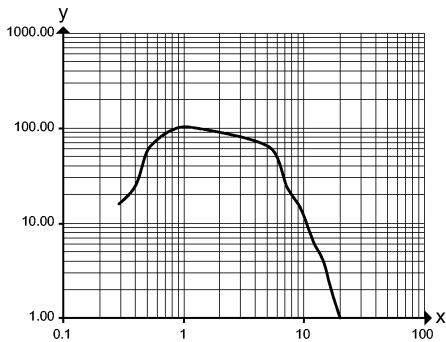
Excess gain graphs

x: distance in [mm]
y: excess gain factor

OIP281

OIP-HPKG/US/15M

Photoelectric sensors



Environment

Ambient temperature	[°C]	-25...60
Protection		IP 67

Tests / approvals

EMC		EN 60947-5-2
-----	--	--------------

Mechanical data

Housing materials		ZnAl4Cu1
Lens material		PMMA

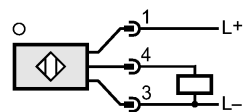
Displays / operating elements

Output status indication	LED	yellow
Operation	LED	green

Electrical connection

Connection		M12 connector
------------	--	---------------

Wiring



Accessories

Accessories (included)		1 lock nut
------------------------	--	------------

Remarks

Remarks		cULus - Class 2 source required
---------	--	---------------------------------

Pack quantity	[piece]	1
---------------	---------	---