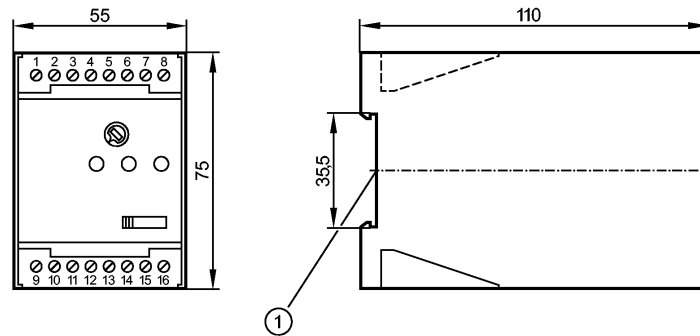


DA0116

A300/110-240VAC/DC

Evaluation systems, power supplies



1: Mounting on DIN rail

Made in Germany



Product characteristics

Standstill monitor	
A300	
Housing for DIN rail mounting	
relay and transistor output	

Application

Application	Evaluation of pulse sequences with regard to underspeed or missing pulse
Switching function	F1/F2, with slide switch
Switching output	1 relay (1 changeover contact); transistor output (pnp / 24 V DC; ± 20 % / 200 mA)

Electrical data

Nominal voltage [V]	110...240 AC/DC (50...60 Hz) / 27 DC (typ. 24 DC)
Voltage tolerance [%]	-20...+10
Power consumption [VA]	4
Sensor supply [V]	24 DC (max. 30mA)

Inputs

Input frequency (max.) [pulses/min]	15000 (250 Hz)
-------------------------------------	----------------

Outputs

Relay	
Contact rating	6 A (250 V AC); B300, R300

Measuring / setting range

Setting range [pulses/min.]	5...25 / 20...100
Adjustment of the switch point	fine adjustment within the ranges with potentiometer
Hysteresis [% of Sp]	5 *)
Start-up delay [s]	15 **)

Accuracy / deviations

Repeatability [% / Sp]	3
------------------------	---

Environment

Ambient temperature [°C]	0...50
Protection housing / terminals	IP 40 / IP 20

Safety classification

MTTF [a]	352
----------	-----

Mechanical data

Housing materials	plastics
Weight [kg]	0.286

DA0116

A300/110-240VAC/DC

Evaluation systems, power supplies

Displays / operating elements

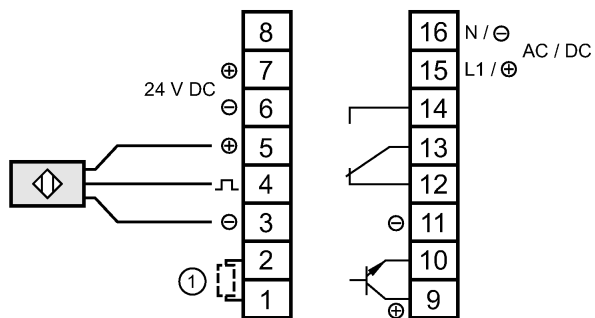
Operation	LED	green
Input pulses	LED	yellow
Output status indication	LED	green (lights when the output relay is energised)

Electrical connection

Connection	16 terminals...2.5 mm ² (AWG 14)
------------	---

Wiring

1: remote start-up delay



Remarks

Remarks	*) fixed **) reduction by means of external resistor
Pack quantity [piece]	1