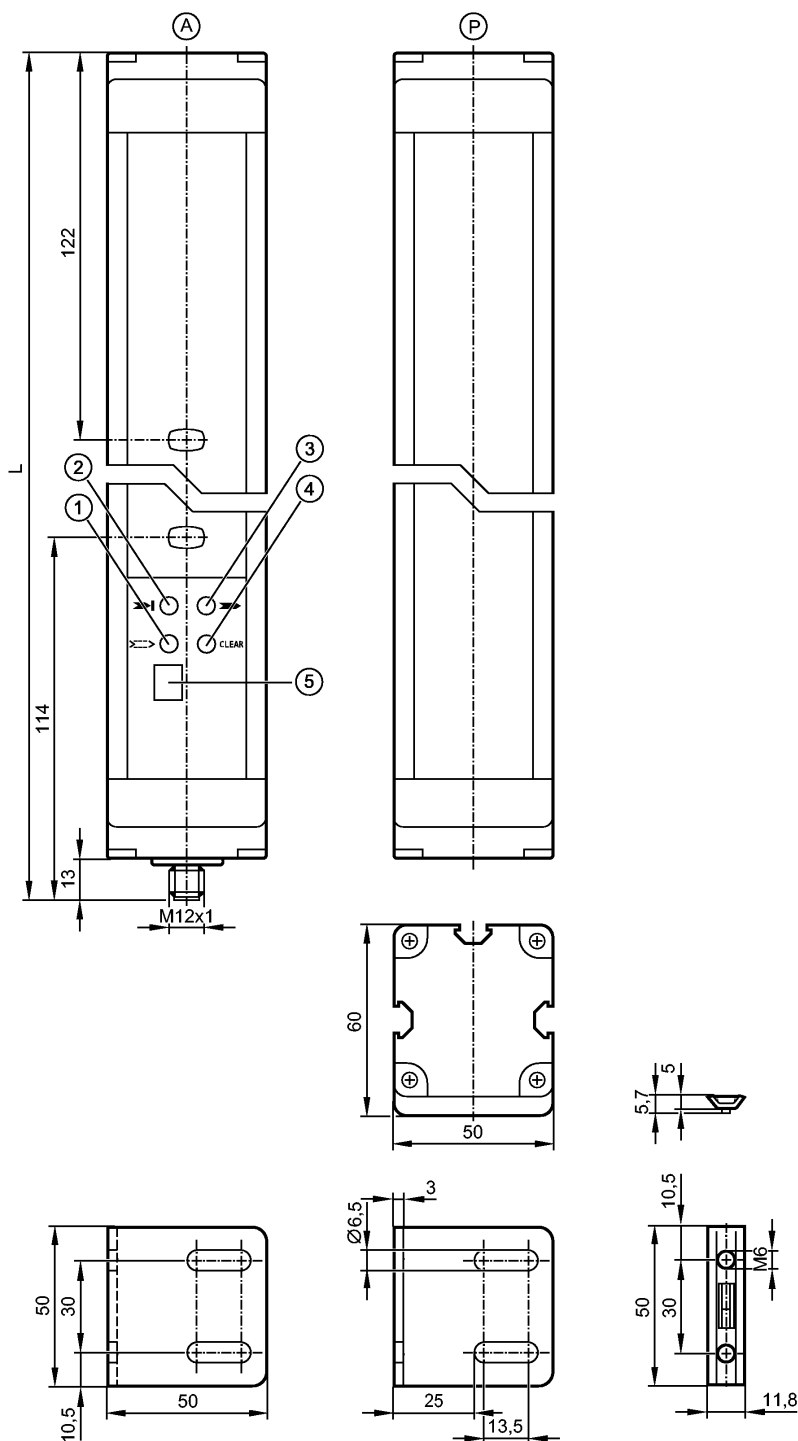


OY901S

OYD0510-02-4-06-P-1

Photoelectric sensors

Please note the wiring of the sensor and the sockets (see data sheet) as for 8-pole sockets the core colours are not standardised.



A: active element
 P: passive element
 1: LED (orange)
 2: LED (red)

3: LED (green)
 4: LED (yellow)
 5: display



Product characteristics

Safety light grid
Length L: 736 mm
Connector

OY901S

OYD0510-02-4-06-P-1

Photoelectric sensors

with active / passive system

Complies with the requirements:

type 4 (IEC 61496-1)

SIL 3 (IEC 61508)

SILcl 3 (IEC 62061)

PL e (EN ISO 13849-1)

Electrical data

Electrical design	DC PNP
Operating voltage [V]	24 DC (19.2...28.8)
Current consumption [mA]	250
Type of light	Infrared light 950 nm
Protection class	III
Reverse polarity protection	yes
Power-on delay time [s]	< 10

Outputs

Outputs (OSSDs)	2 x PNP
Max. current load per output [mA]	500 (24 V)
Short-circuit protection	yes

Range

Protected area height [mm]	510
Number of beams	2
Protected area width (range) [m]	0...6

Reaction times

Response time [ms]	10
--------------------	----

Environment

Applications	Class C to EN 60654-1 weatherproof application
Ambient temperature [°C]	-10...55
Max. relative air humidity [%]	95
Protection	IP 65

Tests / approvals

EMC	IEC 61496-1
Shock resistance	IEC 61496-1
Vibration resistance	IEC 61496-1

Safety classification

Mission time TM [h]	175200
Safety-related reliability PFHd [1/h]	4.8E-09
MTTFd [Years]	100
DC/CCF/Cat.	98.1 % / 80 % / 4

Mechanical data

Length L [mm]	736
Housing materials	housing: aluminium; window: PC
Weight [kg]	6.01

Displays / operating elements

Display	LED yellow LED green
---------	-------------------------

OY901S

OYD0510-02-4-06-P-1

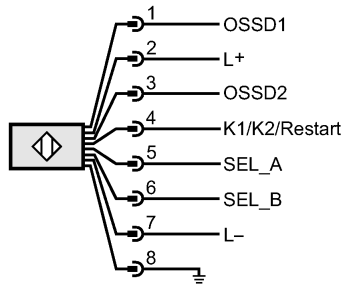
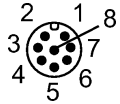
Photoelectric sensors

LED Red
LED orange

Electrical connection

Connection M12 connector

Wiring



Max. connection cable length [m] 100 *)

Accessories

Accessories (included) 4 mounting brackets; 4 mounting nuts

Remarks

Remarks *) for wire cross-section 1 mm²

Pack quantity [piece] 1

ifm electronic gmbh • Friedrichstraße 1 • 45128 Essen — We reserve the right to make technical alterations without prior notice. — GB — OY901S — 07.09.2010

Please note the wiring of the sensor and the sockets (see data sheet) as for 8-pole sockets the core colours are not standardised.