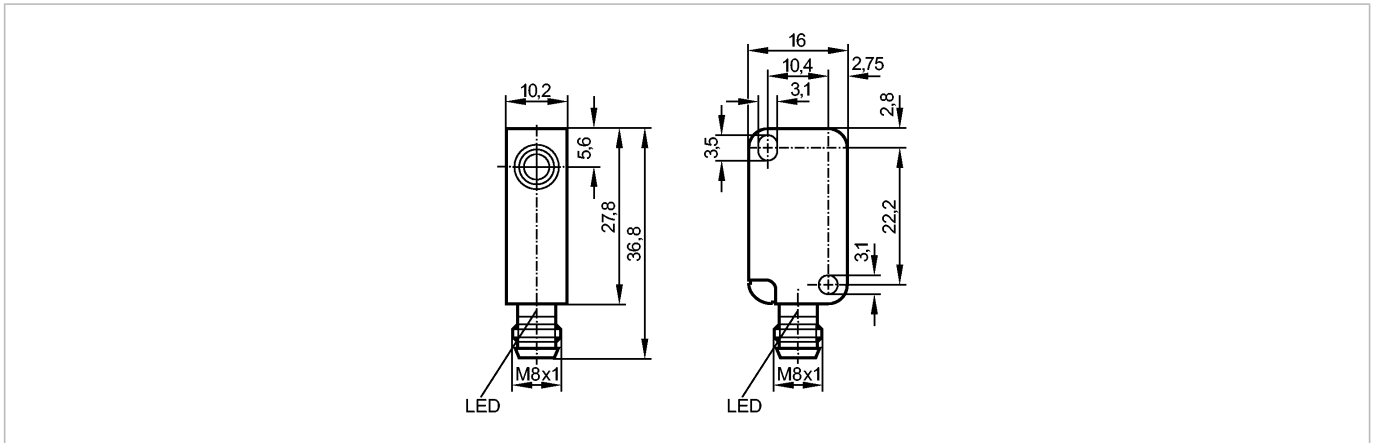


MS5010

MS-3060-BPKG/AS-510-TPS

Magnetic sensors, cylinder sensors



Made in Germany



Product characteristics

Magnetic sensor
Plastic housing
Connector
Sensing range 60 mm; referred to magnet M4.0
Magnetic sensitivity ca. 1.2 mT

Electrical data

Electrical design	DC PNP
Operating voltage [V]	10...30 DC; "supply class 2" to cULus.
Current consumption [mA]	< 10
Protection class	III
Reverse polarity protection	yes

Outputs

Output function	normally open
Voltage drop [V]	< 2.5
Current rating [mA]	200
Short-circuit protection	pulsed
Overload protection	yes
Switching frequency [Hz]	5000

Range

Sensing range [mm]	60, referred to magnet M4.0
Magnetic sensitivity [mT]	ca. 1.2

Accuracy / deviations

Hysteresis [% of Sr]	1...10
----------------------	--------

Environment

Ambient temperature [°C]	-25...75
Protection	IP 67

Tests / approvals

EMC	EN 61000-4-2 ESD: 4 kV CD / 8 kV AD
	EN 61000-4-3 HF radiated: 10 V/m (80...1000 MHz)
	EN 61000-4-4 Burst: 2 kV
	EN 61000-4-5 Surge: 0.5 kV (line to line, Ri: 20Ω)
	EN 61000-4-6 HF conducted: 10 V (0.15...80 MHz)
	EN 55011: class B

MS5010

MS-3060-BPKG/AS-510-TPS

Magnetic sensors, cylinder sensors

MTTF	[Years]	2847
------	---------	------

Mechanical data

Housing materials		housing: PBT orange
Weight	[kg]	0.017

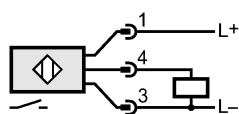
Displays / operating elements

Output status indication	LED	yellow
--------------------------	-----	--------

Electrical connection

Connection		M8 connector; Gold-plated contacts
------------	--	------------------------------------

Wiring



Remarks

Pack quantity	[piece]	1
---------------	---------	---