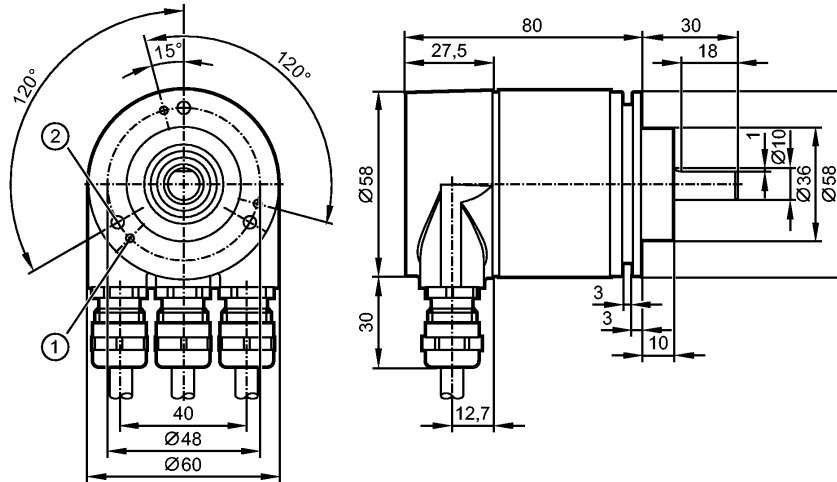


RM3007

RMK0025-E24/E

Encoders



- 1: M3 6 mm deep
- 2: M4 6 mm deep



Product characteristics	
Multiturn	
Profibus data interface	
Terminals	
Clamping flange	
8192 steps	
4096 revolutions	
Electrical data	
Operating voltage [V]	10...30 DC
Current consumption [mA]	100 (24 V DC)
Code	binary
Reverse polarity protection	yes
Outputs	
Output function	Profibus data interface
Measuring / setting range	
Resolution	25 bits
Interfaces	
Programming interface	Profibus DP DPV2 functionality
Addressing	Address selector switch; decimal setting of address 0...126
Diagnostic function	Alarms; warnings; status; serial number of the encoder (diagnostic functions to Profibus Encoder - Profile Class 2)
Programming options	Direction of counting of the code values; resolution; zero point, limit switch HI and LO; running indication, multi/singleturn separation (programming functions to Profibus Encoder - Profile Class 2)
Mechanical data	
Max. permissible rpm / mech. [1/min]	12000
Max. shaft load (at the shaft end) [N]	axial 40; radial 110
Shaft, material [mm]	Ø 10, steel (1.4104)
Vibration resistance	10 g (10...2000 Hz)
Shock resistance	100 g (6 ms)

**RM3007**

RMK0025-E24/E

Housing materials		aluminium
Weight	[kg]	0.65
Environment		
Max. relative air humidity	[%]	98
Ambient temperature	[°C]	-40...85
Protection		IP 67; IP 67 (housing); IP 67 (shaft)
Electrical connection		
Connection		Terminal strip in the terminal chamber
Remarks		
Pack quantity	[piece]	1