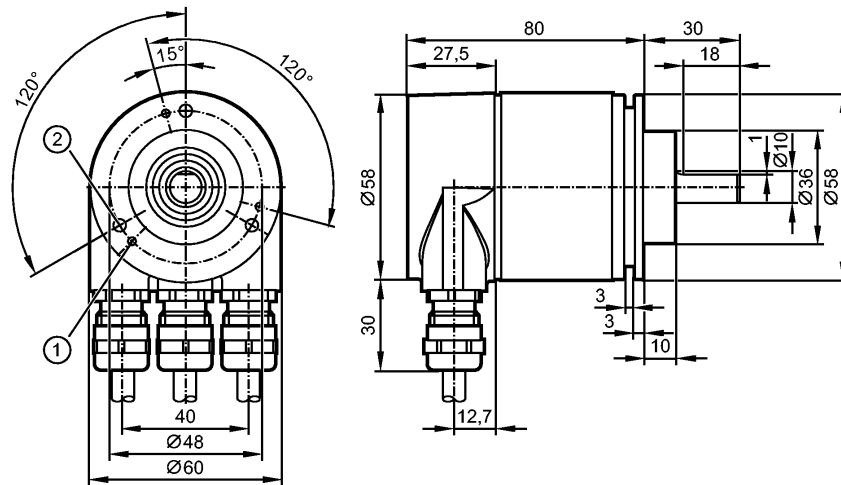


RM7012

RMK0025-C24/E

Encoders



- 1: M3 6 mm deep
- 2: M4 6 mm deep



Product characteristics

Multiturn

CANopen interface

Terminals

Clamping flange

8192 steps

4096 revolutions

Electrical data

Operating voltage [V]	10...30 DC
Current consumption [mA]	230 (10 V DC); 100 (24 V DC)
Code	binary
Reverse polarity protection	yes

Outputs

Output function	CANopen interface
-----------------	-------------------

Measuring / setting range

Resolution	25 bits
------------	---------

Interfaces

Programming interface	CANopen
Profiles	DSP - 406 V3.1; DS 301 V4.02; DS 306 V2.0
Addressing	Address selector switch; decimal setting of address 0...126
Programming options	CAN parameters, scaling, preset, baud rate (default 125 k), direction of rotation, node ID (default 32)

Mechanical data

Max. permissible rpm / mech. [1/min]	6000
Max. shaft load (at the shaft end) [N]	axial 40; radial 110
Shaft, material [mm]	Ø 10, steel (1.4104)
Vibration resistance	10 g (10...1000 Hz)
Shock resistance	100 g (6 ms)
Housing materials	aluminium
Weight [kg]	0.649

RM7012

RMK0025-C24/E

Environment

Max. relative air humidity	[%]	98
Ambient temperature	[°C]	-40...85
Protection		IP 65; IP 65 (housing); IP 64 (shaft)

Displays / operating elements

Diagnostic display LED		Lights green: preoperational mode Flashes green: operational mode Flashes red: error message
------------------------	--	--

Electrical connection

Connection		Terminal strip in the terminal chamber
------------	--	--

Remarks

Pack quantity	[piece]	1
---------------	---------	---