

Please note the wiring of the sensor and the sockets (see data sheet) as for 8-pole sockets the core colours are not standardised.

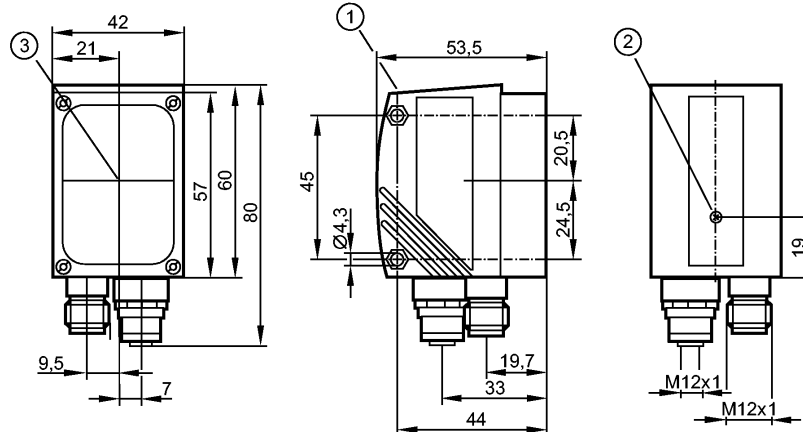
efector250

O2D222



O2DIRPKG/K

Object recognition



- 1: display
- 2: Focus setting
- 3: Centre of the lens axes



Made in Germany

Product characteristics

Object recognition sensor

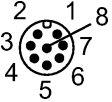
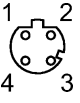
Max. field of view size: 1320 x 945 mm

Infrared lighting 850 nm

Electrical data

Operating voltage	[V]	24 DC ± 10 %						
Current consumption	[mA]	< 300						
Type of light		Infrared light 850 nm						
Protection class		III						
Reverse polarity protection		yes						
Connection external illumination	[V]	24 V DC						
Type of sensor		CMOS image sensor B/W, VGA resolution 640 x 480						
Inputs		max. 2 (configurable) / 24 V PNP to IEC 61131-2 type 2						
Circuit		external; 24 V PNP to IEC61131-2 type 2						
Trigger		internal						
Outputs		max. 5 (configurable) / 24 V PNP						
Output		100						
Max. current load per output	[mA]	< 2						
Voltage drop	[V]	yes						
Short-circuit protection		yes						
Overload protection		yes						
Range		50, 75, 100, 200, 400, 1000, 2000						
Operating distance	[mm]	33 x 24	50 x 36	66 x 47	132 x 94	264 x 189	660 x 472	1320 x 945
Field of view size	[mm]	0.3	0.4	0.5	0.9	1.7	4.0	8.0
Resolution	[mm]	≤ 20						
Detection rate	[Hz]	typ. 1						
Motion speed	[m/s]							
Software / programming		via 2 pushbuttons and 10-segment display or via PC / notebook with operating software						
Parameter setting options								
Interfaces		Ethernet TCP/IP; 10Base-T / 100Base-TX						
parameter setting interface								

O2D222 - Object recognition sensor - eclass: 27280103 / 27-28-01-03

Process interface	Ethernet TCP/IP (Port: 50010), EtherNet/IP
IP address	192 .168 .0 .49
subnet mask	255.255.255.0 (Class C)
gateway IP address	192 .168 .000 .201
MAC address	see type label
Environment	
Ambient temperature [°C]	-10...60
Storage temperature [°C]	-40...85
Protection	IP 67
Tests / approvals	
EMC	radiation of interference to EN 61326 noise immunity to EN 61326
MTTF [Years]	90
Shock resistance	IEC 60028-2-27:
Vibration resistance	IEC 60028-2-6:
Mechanical data	
Housing materials	housing: diecast zinc powder coated; window: glass; LED window: polycarbonate
Weight [kg]	0.406
Displays / operating elements	
Display	Function display 3 x LED green 4 x LED yellow Display unit / status 4-digit 10-segment display
Electrical connection	
Connection	M12 plug, 8 poles M12 socket, 4 poles
Wiring	
	M12: Process connection 1: U+ 2: trigger input 3: 0 V 4: Switching output 5 / trigger output 5: Switching output 3 / Ready 6: Switching output 4 / OUT 7: Switching output 1 / Input 1 8: Switching output 2 / Input 2
	Ethernet TCP/IP: parameter setting/process connection 1: TD+ 2: RD+ 3: TD- 4: RD-
Accessories	
Accessories (optional)	Operating software; Mounting accessories
Remarks	
Remarks	cULus - Class 2 source required
Pack quantity [piece]	1

ifm electronic gmbh • Friedrichstraße 1 • 45128 Essen — We reserve the right to make technical alterations without prior notice. — GB — O2D222 — 23.10.2009
Please note the wiring of the sensor and the sockets (see data sheet) as for 8-pole sockets the core colours are not standardised.