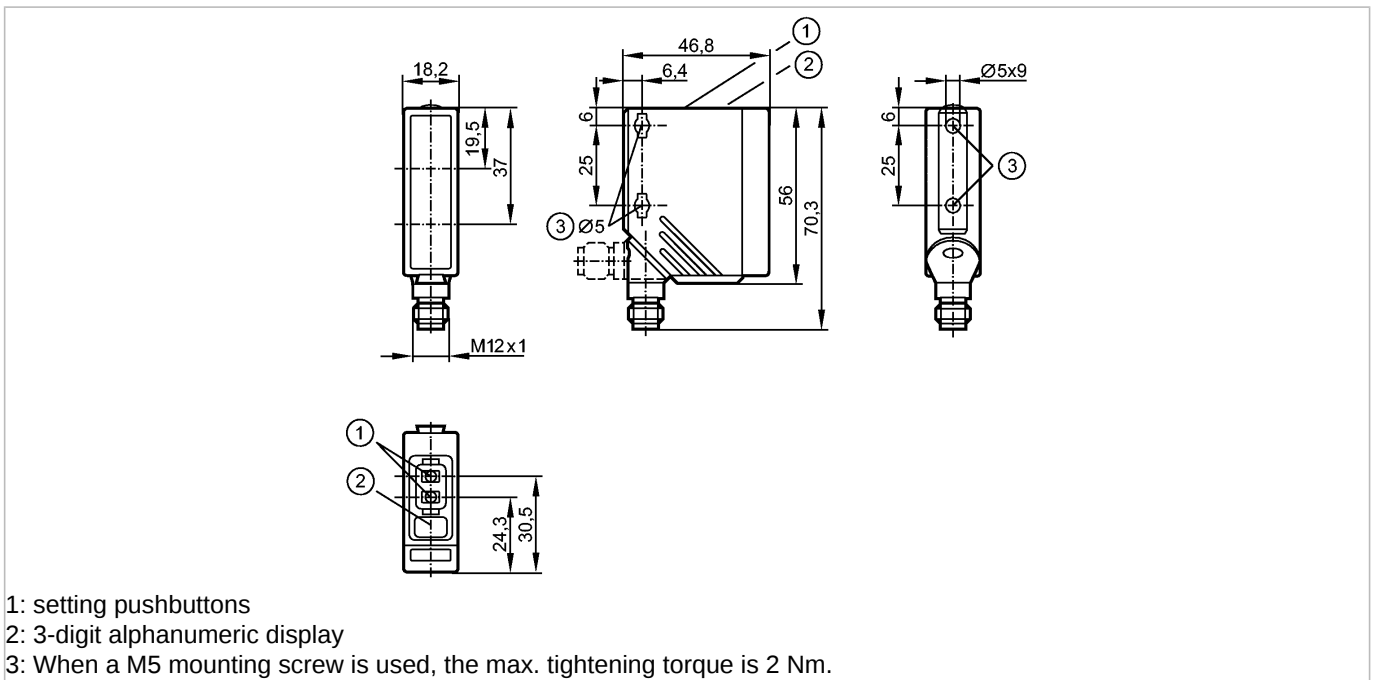


O5D100

O5DLCPKG/US

Photoelectric sensors



- 1: setting pushbuttons
- 2: 3-digit alphanumeric display
- 3: When a M5 mounting screw is used, the max. tightening torque is 2 Nm.



Made in Germany

Product characteristics

Photoelectric distance sensor
Connector
Background suppression
Visible laser light, protection class 2 laser
3-digit alphanumeric display [cm]
adjustable
Measuring range 0.03...2 m
Background suppression ...20 m

Electrical data

Electrical design	DC PNP
Operating voltage [V]	10...30 DC
Current consumption [mA]	< 75; @ 24 V DC
Life expectancy typ. [h]	50000
Type of light	red light 650 nm
Protection class	III
Reverse polarity protection	yes

Outputs

Output function	2 switching outputs normally open / closed complementary
Current rating [mA]	2 x 100
Short-circuit protection	pulsed
Overload protection	yes

Range

Background suppression	...20 m
Light spot diameter [mm]	< 5 (Range 2 m)
Hysteresis [%]	< 6; schwarz (6 % Remission) bei max. Tastweite

Measuring / setting range

O5D100

O5DLCPKG/US

Photoelectric sensors

Measuring range	[m]	0.03...2
Sampling rate	[Hz]	33
Switching frequency [Hz]		11

Environment		
Ambient temperature	[°C]	-25...60, bei ta < 10 °C ist eine Aufwärmzeit notwendig, Laser ist dabei aus
Storage temperature	[°C]	-30...80
Protection		IP 65 / IP 67

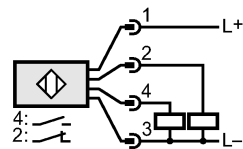
Tests / approvals	
EMC	EN 60947-5-2

Mechanical data	
Housing materials	housing: PA; bezel: high-grade stainless steel; operator interface: TPU; lens: PMMA

Displays / operating elements	
Display	Switching status LED yellow Operation LED green Display 3-digit alphanumeric display

Electrical connection	
Connection	M12 connector

Wiring



Remarks	
Remarks	Caution: Laser Light Power <= 4.4 mW wavelength = 650 nm pulse 1.3 ns Do not stare into beam Avoid exposure Class 2 laser product EN 60825-1:2007-10 extraneous light on the object max.: 8 klx

Pack quantity	[piece]	1
---------------	---------	---

Other data